

# DUCTILEBALL™

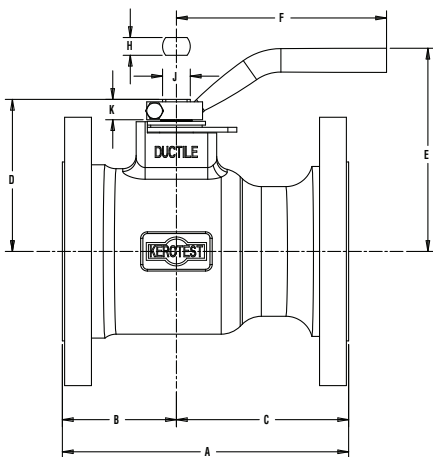
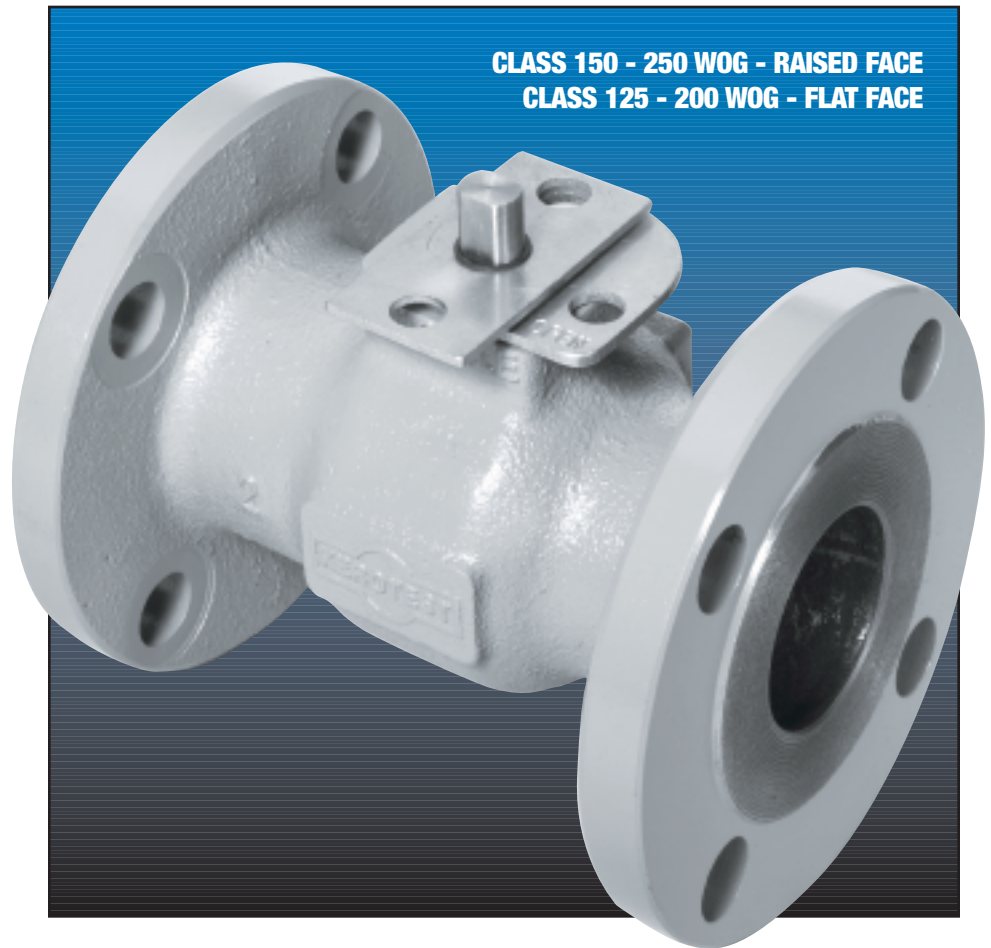
## DUCTILE IRON BALL VALVE

The Kerotest Ductileball line of maintenance-free ductile iron ball valves are built to the same high standards as every product we have manufactured for the gas distribution industry since 1909.

Test Our Mettle... You'll Like The Results.

### FEATURES

- 1/4 turn operation
- Standard port sizes: 2", 3", 4" and 6"
- Reduced port sizes: 2"
- Low operating torque
- Blowout proof stem
- Dual stem o-ring seals
- Carbonized PTFE (Teflon™) seat seals for leak-proof shut-off
- Proven seat design insures long life
- Maintenance free — no lubrication required to maintain positive shut-off
- Standard stainless steel locking plate allows valve to be locked in full-open or full-close position to insure safe operation



Valve Sizes and Dimensions (Approx.) in.

SIZE	A	B	C	D	E	F*	H	J	K	PORT DIA.	WEIGHT LBS.
2" RP	7.0	3.5	3.5	3.2	4.6	7.6	.438	.588	.64	1.3	16
2" SP	7.0	3.5	3.5	3.5	4.8	7.6	.438	.588	.64	1.6	19
3"	8.0	3.2	4.8	4.3	5.7	9.7	.497	.775	.67	2.4	30
4"	9.0	3.4	5.6	5.4	6.5	12.7	.623	.875	.63	3.2	48
6"	10.5	4.1	6.4	6.2	7.2	18.8	.748	.937	.63	4.3	78

\* Handle optional.

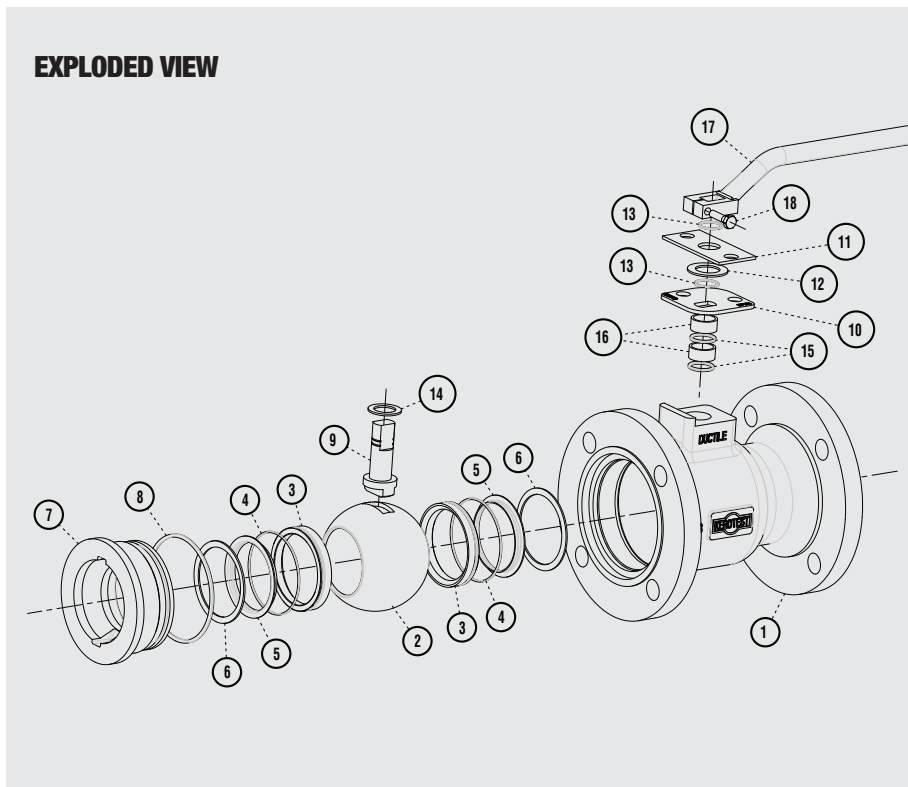


*An Employee Owned Total Quality Management Company*

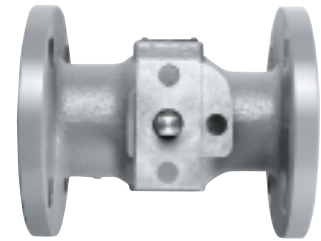
# DUCTILEBALL™

## DUCTILE IRON BALL VALVE

### EXPLODED VIEW



Standard Port Sizes: 2", 3", 4" and 6".  
Reduced Port Sizes: 2" only.



Standard locking plate  
insures safe operation.

### MATERIALS OF CONSTRUCTION

NO.	COMPONENT	MATERIAL
1	Body	Ductile Iron, ASTM A395, Class 60-40-18, Fully Annealed
2	Ball	Stainless Steel, AISI Type 304
3	Seat Ring	Teflon, Carbon Filled
4	Seat Ring Seal	BUNA-N
5	Support Ring	Stainless Steel, AISI Type 316
6	Spring Washer	Alloy Steel, 6150
7	End Adapter	Ductile Iron, ASTM A395, Class 60-40-18, Fully Annealed
8	Adapter Seal	BUNA-N
9	Stem	Stainless Steel, AISI Type 304
10	Stop/Lock Plate	300 Series Stainless Steel
11	Stationary Lock Plate	300 Series Stainless Steel
12	Spacer	Teflon
13	Retaining Ring	Carbon Steel
14	Thrust Washer	Teflon, Carbon Filled
15	Stem Seal	BUNA-N
16	Stem Bearing	Brass
17	Handle (Optional)	Carbon Steel
18	Handle Screw (Optional)	18-8 Stainless Steel

### ORDERING CODE

CLASS 150 - 250 WOG  
RAISED FACE (RF) - FLANGED END

SIZE	MODEL NO.	PART NO.
2" RP	2DB250-RF-RP	45001000
2" SP	2DB250-RF-SP	45001009
3"	3DB250-RF	45001001
4"	4DB250-RF	45001002
6"	6DB250-RF	45001003

CLASS 125 - 200 WOG  
FLAT FACE (FF) - FLANGED END

SIZE	MODEL NO.	PART NO.
2" RP	2DB200-FF-RP	45001004
2" SP	2DB200-FF-SP	45001010
3"	3DB200-FF	45001005
4"	4DB200-FF	45001006
6"	6DB200-FF	45001007



### Kerotest Manufacturing Corp.

5500 Second Avenue, Pittsburgh, PA 15207

(412) 521-7263 • Fax (412) 521-5990

email: [kerotest@kerotest.com](mailto:kerotest@kerotest.com)

[www.kerotest.com](http://www.kerotest.com)