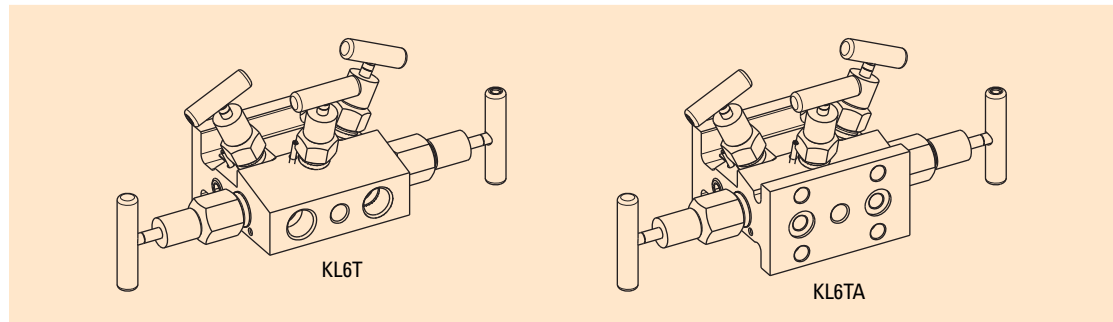


# Kerotest KL6T & KL6TA 5-Valve 3/8" Large Bore Natural Gas Manifolds



## Product Brief

The KL6 5-Valve Manifold is designed specifically for natural gas applications, especially for use with recording orifice meters. The KL6T and KL6TA options allow for flange-by-tube installation or flange-by-flange installation of these manifolds if desired.

## Features/Benefits

- **Lightweight construction.** Installs in meter tubing without additional support.
- **Tested and qualified.** Cycle tested 500 times under full Cold Working Pressure (CWP) load.
- **1/4-inch FNPT ports standard.** Connect static pressure to the upstream or downstream ports.
- **Dual high-performance grade Viton™ O-Ring** with PTFE backup ring packing design below stem threads.
- **Metal-to-metal,** bonnet-to-body seal to maintain shell pressure.
- **Non-rotating** taper tip stem plug design to reduce seat wear.
- **Mirror internal bonnet finish** for extended packing life.
- **Bonnet cap protection.** Increases valve life and maintains integrity of stem threads.
- **No more stem blowouts.** No-backout stem design prevents blowout problems and removal while in use.
- **Ergonomic,** non-knuckle busting handle positioning for smooth turns and accurate adjustments.
- **Built in ISO 9001** certified facility.
- **Compliance** with industry standards:
  - ASME B31.1 — Power Piping
  - ASME B31.3 — Process Piping
  - API 598 — Valve Inspection and Testing
  - ISO 5208 — Industrial Valves; Pressure Testing of Metallic Valves
  - MSS SP-99 — Instrument Valves

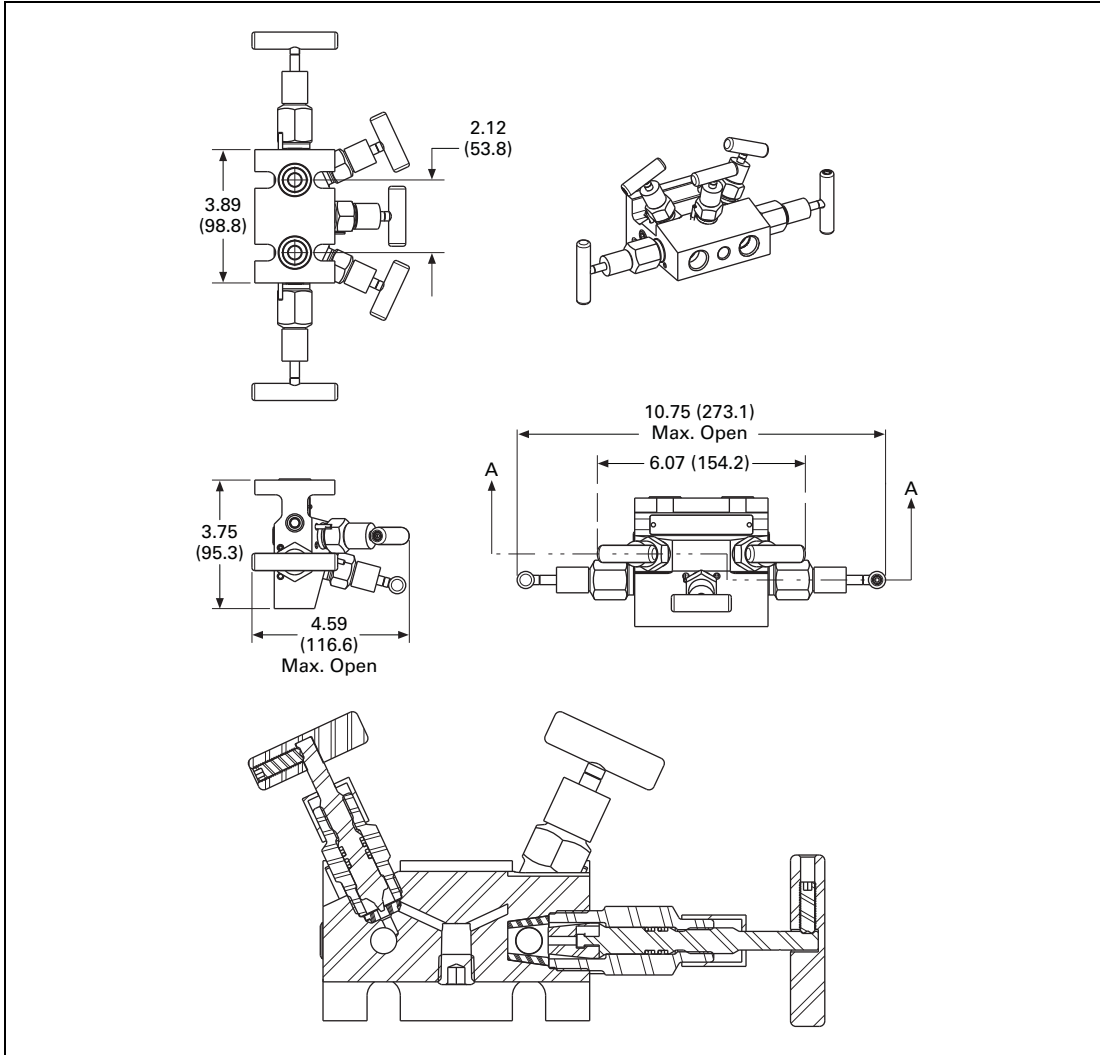


*An Employee-Owned Company*

# Kerotest KL6T & KL6TA 5-Valve 3/8" Large Bore Natural Gas Manifolds

## Specifications

KL6T Soft Seat Dimensions in Inches (mm)



### Notes:

Approximate valve weight: 7.4 lb (3.4 kg).

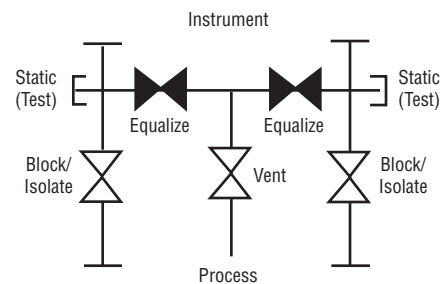
Soft Seat: 0.375-inch (9.5 mm) diameter orifice.  
Cv = 2.43, full open.

KL6T Installation Kit consists of  
4 bolts, 7/16-inch – 20 x 1-inch,  
4 washers, and 2 gaskets.

Shell Tested to 1.5x Cold Working Pressure.

Seat Tested to 1.1x Cold Working Pressure.

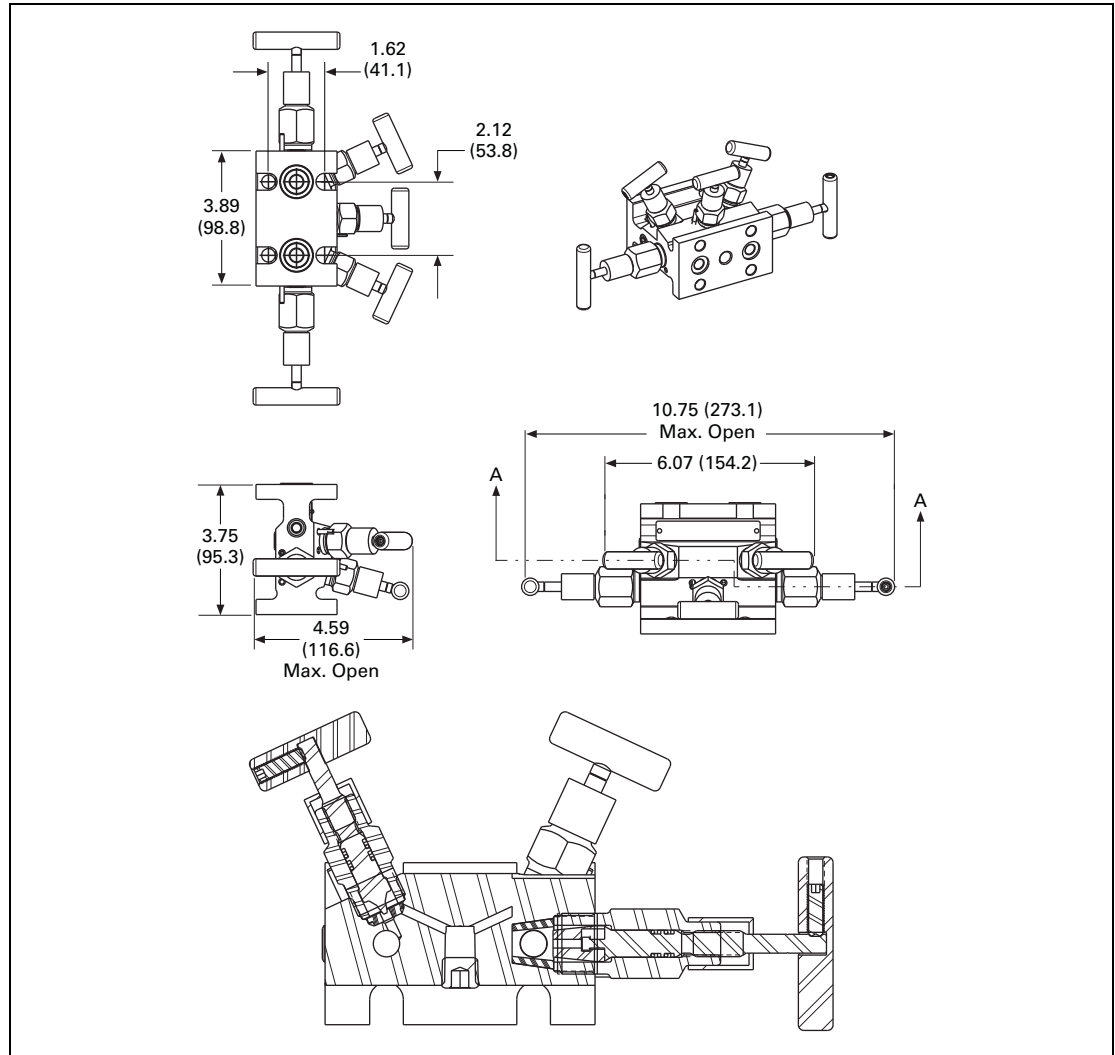
The KL6T high-pressure extrusion has flanged  
(integral) instrument connections and 1/2-inch  
NPT process connections.



# Kerotest KL6T & KL6TA 5-Valve 3/8" Large Bore Natural Gas Manifolds

## Specifications

KL6TA Soft Seat Dimensions in Inches (mm)



### Notes:

Approximate valve weight: 8.0 lb (3.6 kg).

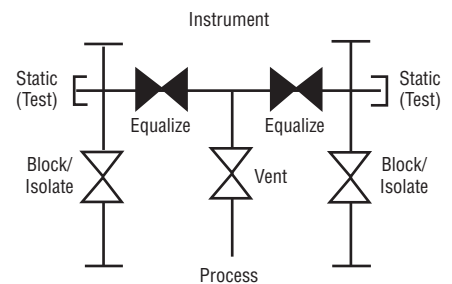
Soft Seat: 0.375-inch (9.5 mm) diameter orifice.  
Cv = 2.43, full open.

KL6TA Installation Kit consists of  
4 bolts, 7/16-inch – 20 x 1-inch,  
4 washers, and 2 gaskets.

Shell Tested to 1.5x Cold Working Pressure.

Seat Tested to 1.1x Cold Working Pressure.

The KL6TA high-pressure extrusion has  
flanged (integral) instrument and process  
connections.



# Kerotest KL6T & KL6TA 5-Valve 3/8" Large Bore Natural Gas Manifolds

## Standard Materials

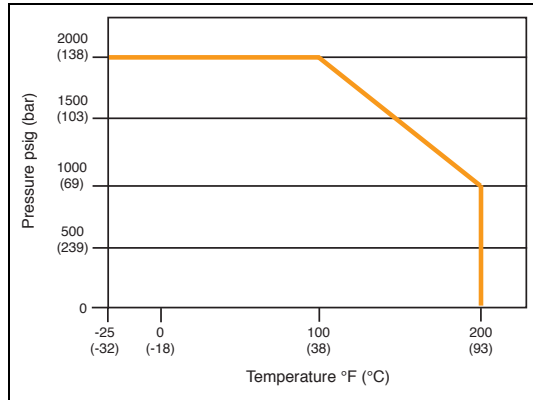
Valve	Seat	Body	Bonnet	Stem
CS ①	Soft	A576	A108	17-4
SS	Soft	A479-316	A479-316	17-4

① CS parts are zinc nickel-plated to prevent corrosion.

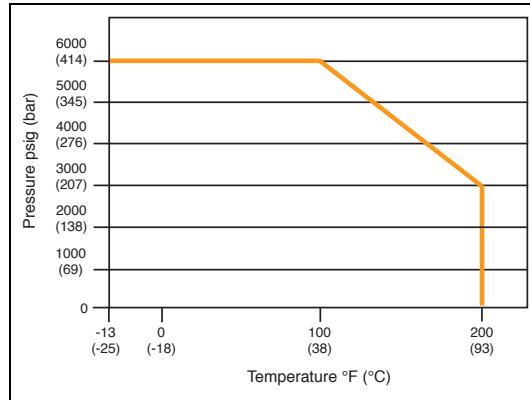
## Pressure and Temperature Ratings

Seat Material	Rating
Tefzel®	2000 psi from -25°F to 100°F (138 bar from -32°C to 38°C) 1000 psi at 200°F (69 bar at 93°C)
Delrin®	6000 psi from -25°F to 100°F (414 bar from -32°C to 38°C) 3000 psi at 200°F (207 bar at 93°C)

## Pressure vs. Temperature – Tefzel® Seat



## Pressure vs. Temperature – Delrin® Seat



## Naming Convention

KL6	<u>T</u>	<u>R</u>	<u>D</u>	<u>S</u>	-	<u>4</u>
1.	2.	3.	4.	5.		6.
<b>1. Manifold Styles</b>	<b>2. Body Configurations</b>	<b>3. Packing Style</b>	<b>4. Seat Material</b>	<b>5. Body Material</b>		<b>6. Pipe Threads</b>
KL6 – Large Bore Manifold	T – Pipe by Flange TA – Flange by Flange	R – Double O-Ring with Backup Rings	D – Delrin® Z – Tefzel®	S – 316 Stainless Steel C – ASTM A576 Carbon Steel		4 – 1/2-inch FNPT

### Example: KL6TRDS-4

Large Bore Manifold, Pipe by Flange, Double O-Ring with Backup Rings, Delrin® Seats, 316 Stainless Steel Body, 1/2-inch FNPT Pipe Threads.

All product names referenced herein are trademarks of their respective companies.



**Kerotest Manufacturing Corp.**  
5500 Second Avenue • Pittsburgh, PA 15207  
412.521.7688 • Fax: 412.521.5990  
www.Kerotest.com • Sales@Kerotest.com