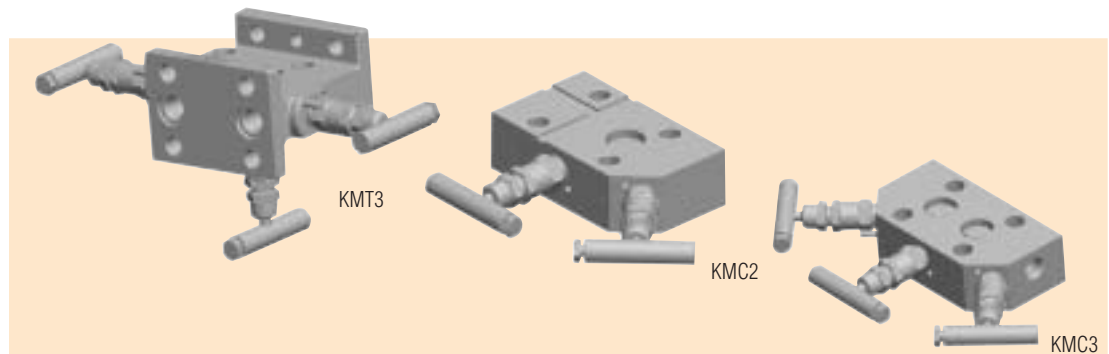


Kerotest KMC2, KMC3 & KMT3 Integral Manifolds



Product Brief

The KMC2, KMC3 and KMT3 Manifolds are designed as integral manifolds, intended for use with a specific transmitter brand. These particular manifolds complement the KMC5G manifold series. All are designed for Rosemount® Transmitter Models 3051, 2024 and 3095. They offer 2- and 3-valve options with the Rosemount Transmitter. They are lightweight and small, making an integrated package when mounted directly to and installed with the transmitter. The KMC5G manifold is also designed to be compatible with Rosemount Coplanar™ pressure transmitters including Models 3051C and 3051P.

Features/Benefits

- **Ball end stem.** Hardened, non-rotating ball ensures exact leak-tight closure every time.
- **Field-serviceable soft seat.** Allows replacement with valve still in the line.
- **Isolated stem threads.** Packing below stem threads keeps solids away. Prevents process contamination.
- **Bubble-tight shutoff.**
- **Chrome-plated stainless steel stem** prevents freezing and galling.
- **Metal-to-metal seal between bonnet and body.** Maintains thread integrity, prevents bonnet breakage and ensures reliable seal.
- **Locking pin ensures safety.** Bonnet lock pin keeps bonnet and body together.
- **Adjustable bonnet packing.** Increases valve life and maintains integrity of stem threads.
- **Rolled stem and bonnet threads** for increased strength and life.
- **No more stem blowouts.** No-blackout stem design prevents blowout problems and removal while in use.
- **Less parts** mean less leak points and less fugitive emissions.

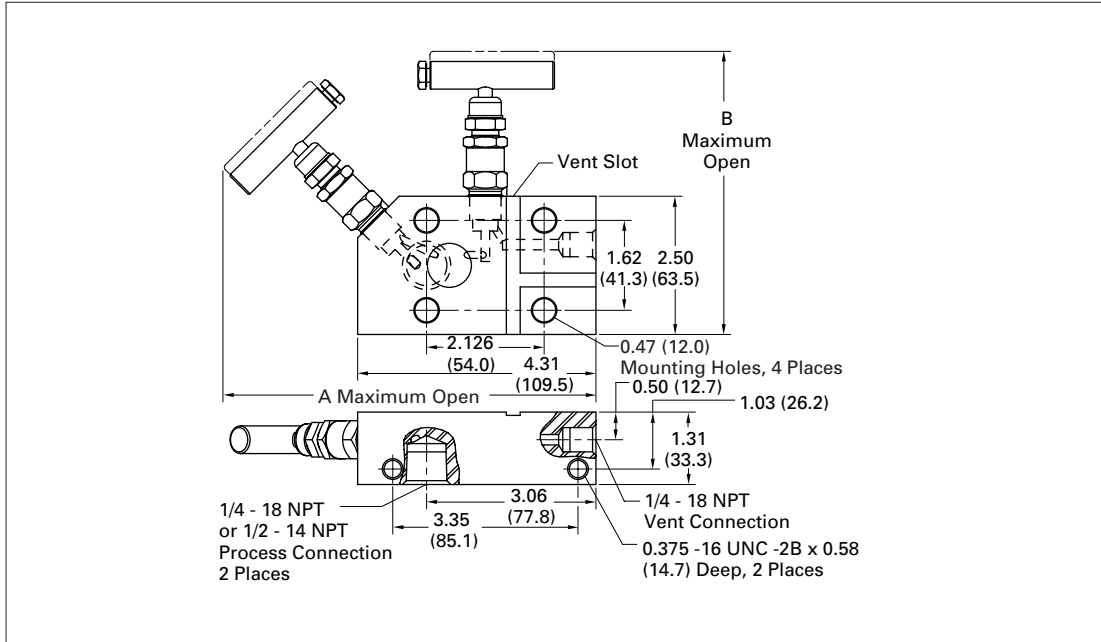


An Employee Owned Total Quality Management Company

Kerotest KMC2, KMC3 & KMT3 Integral Manifolds

Specifications – KMC2 2-Valve Manifold for Static Pressure

Dimensions in Inches (mm)

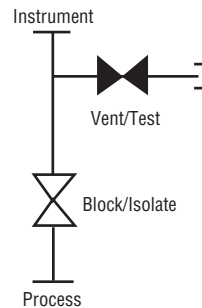


Dimensions in Inches (mm)

Valve ^①	A	B
Teflon [®] Packed	6.85 (174.0)	5.10 (129.5)
GRAFOIL [®] /Low Emissions Graphite Packed	7.49 (190.2)	5.75 (146.1)

- ① Approximate valve weight: 4.1 lb (1.9 kg)
0.156-inch (4.0 mm) diameter orifice.
Cv = .36, full open.

Body face is slotted to ensure atmospheric vent when a differential transmitter is used.



Kerotest KMC2, KMC3 & KMT3 Integral Manifolds

Specifications – KMC2 2-Valve Manifold for Static Pressure

Standard Materials

Valve	Body and Bonnet	Stem and Ball
SS	A479-316 316	A276-316 316
SG ①	A479-316 316	Monel® 400 Monel K500
SG ①	Hastelloy® C-276	Hastelloy C-276 Stellite

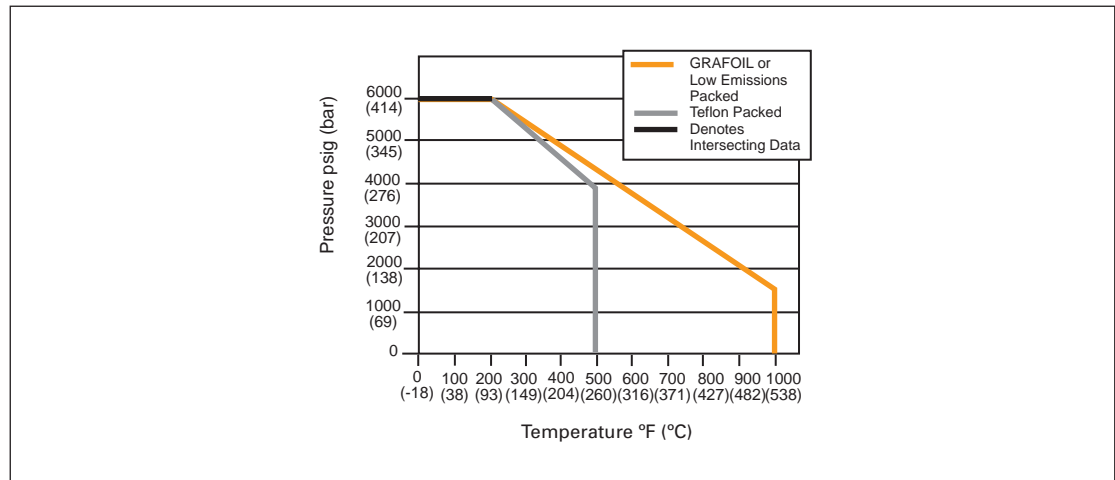
Pressure and Temperature Ratings

Valve	Packing	Ratings
SS	Teflon	6000 psig at 200°F (414 bar at 93°C) 4000 psig at 500°F (276 bar at 260°C)
SS	GRAFOIL/ Low Emissions Graphite	6000 psig at 200°F (414 bar at 93°C) 1500 psig at 1000°F (103 bar at 538°C)
SG ①	Teflon	6000 psig at 200°F (414 bar at 93°C) 4000 psig at 500°F (276 bar at 260°C)
SG ①	GRAFOIL/ Low Emissions Graphite	6000 psig at 200°F (414 bar at 93°C) 1500 psig at 1000°F (103 bar at 538°C)
SG3 ②	Teflon	6000 psig at 200°F (414 bar at 93°C) 4000 psig at 500°F (276 bar at 260°C)
SG3 ②	GRAFOIL/ Low Emissions Graphite	6000 psig at 200°F (414 bar at 93°C) 1500 psig at 1000°F (103 bar at 538°C)

① SG (Sour Gas) meets the requirements of NACE MR0175-2002.

② SG3 (Sour Gas) meets the requirements of NACE MR0175-2003.

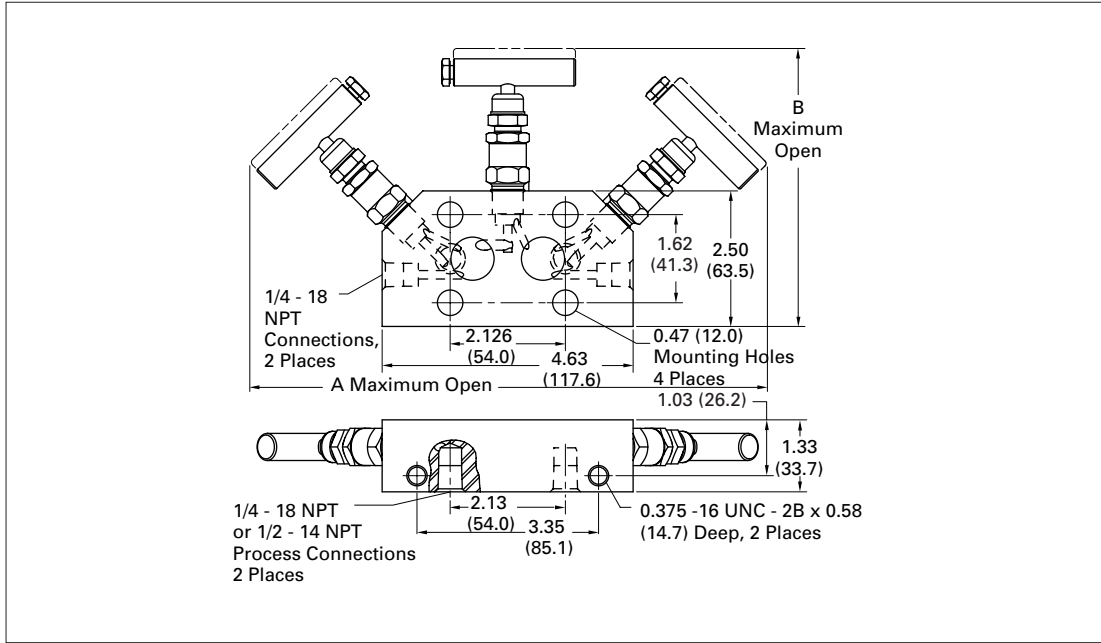
Pressure vs. Temperature



Kerotest KMC2, KMC3 & KMT3 Integral Manifolds

Specifications – KMC3 3-Valve Manifold with Optional Externally Valved Test Ports

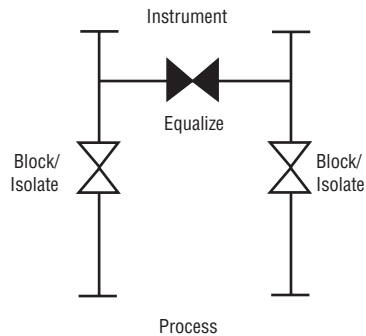
Dimensions in Inches (mm)



Dimensions in Inches (mm)

Valve ①	A	B
Teflon Packed	9.60 (243.8)	5.10 (129.5)
GRAFOIL/Low Emissions Graphite Packed	10.98 (278.9)	5.75 (146.1)

- ① Approximate valve weight: 5.0 lb (2.3 kg) for KMC3VI () -2-H5
 4.4 lb (2.0 kg) for KMC3VI () -2
 0.156-inch (4.0 mm) diameter orifice.
 Cv = .36, full open.



Kerotest KMC2, KMC3 & KMT3 Integral Manifolds

Specifications – KMC3 3-Valve Manifold with Optional Externally Valved Test Ports

Standard Materials

Valve ①	Body and Bonnet	Stem and Ball
SS	A479-316 316	A276-316 316
SG ②	A479-316 316	Monel 400 Monel K500
SG3 ③	Hastelloy C-276	Hastelloy C-276 Stellite

Pressure and Temperature Ratings

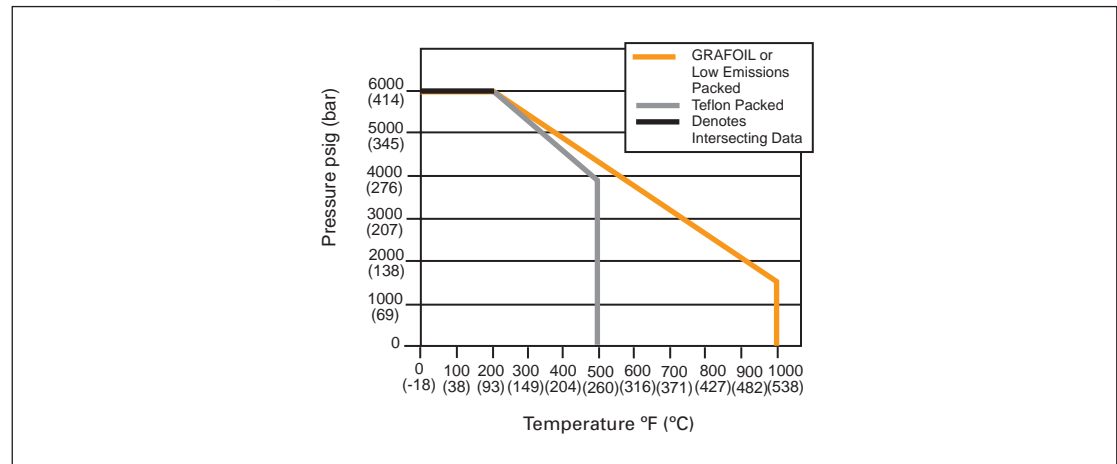
Valve	Packing	Ratings
SS	Teflon	6000 psig at 200°F (414 bar at 93°C) 4000 psig at 500°F (276 bar at 260°C)
SS	GRAFOIL/ Low Emissions Graphite	6000 psig at 200°F (414 bar at 93°C) 1500 psig at 1000°F (103 bar at 538°C)
SG ②	Teflon	6000 psig at 200°F (414 bar at 93°C) 4000 psig at 500°F (276 bar at 260°C)
SG ②	GRAFOIL/ Low Emissions Graphite	6000 psig at 200°F (414 bar at 93°C) 1500 psig at 1000°F (103 bar at 538°C)
SG3 ③	Teflon	6000 psig at 200°F (414 bar at 93°C) 4000 psig at 500°F (276 bar at 260°C)
SG3 ③	GRAFOIL/ Low Emissions Graphite	6000 psig at 200°F (414 bar at 93°C) 1500 psig at 1000°F (103 bar at 538°C)

① Optional test port valves are available. Convertible soft-to-metal seat.

② SG (Sour Gas) meets the requirements of NACE MR0175-2002.

③ SG3 (Sour Gas) meets the requirements of NACE MR0175-2003.

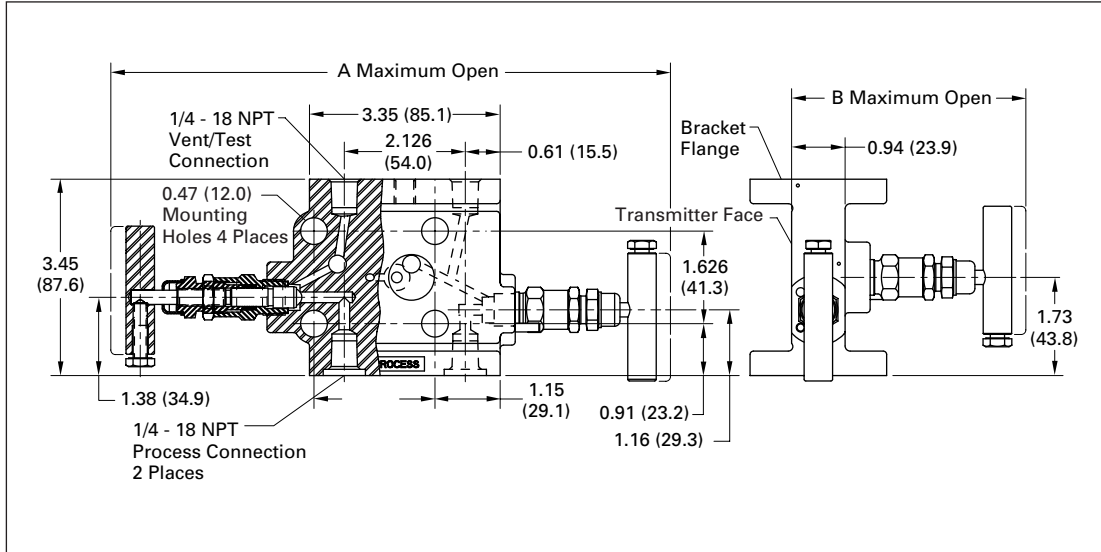
Pressure vs. Temperature



Kerotest KMC2, KMC3 & KMT3 Integral Manifolds

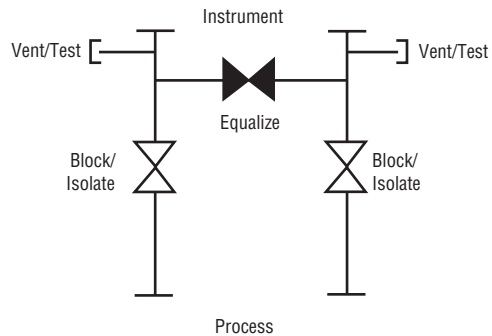
Specifications – KMT3 3-Valve Manifold with Test Ports

Dimensions in Inches (mm)



Dimensions in Inches (mm)

Valve ①	A	B
Teflon Packed	9.72 (246.9)	4.04 (102.6)
GRAFOIL/Low Emissions Graphite Packed	11.02 (279.9)	4.69 (119.1)



Standard Materials ②

Valve	Body and Bonnet	Stem and Ball
SS	A351-CF8M SS 316	A276-316 316
SG ③	A351-CF8M SS 316	Monel 400 Monel K500
SG3 ④	Hastelloy C-276	Hastelloy C-276 Stellite

- ① Approximate valve weight: 4.9 lb (2.22 kg)
0.156-inch (4.0 mm) diameter orifice.
Cv = .36, full open.
- ② Monel and Hastelloy are also available.
- ③ SG (Sour Gas) meets the requirements of NACE MR0175-2002.
- ④ SG3 (Sour Gas) meets the requirements of NACE MR0175-2003.

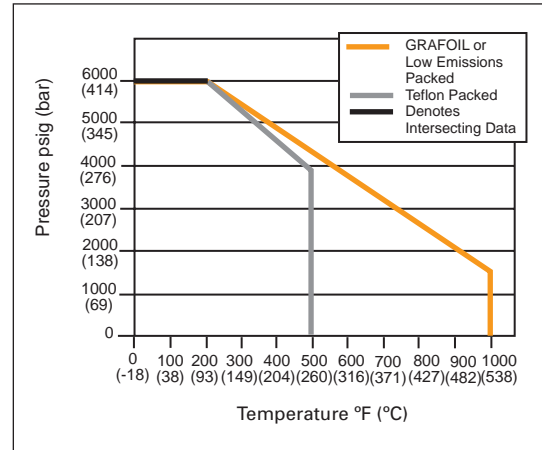
Kerotest KMC2, KMC3 & KMT3 Integral Manifolds

Specifications – KMT3 3-Valve Manifold with Test Ports

Pressure and Temperature Ratings

Valve	Packing	Ratings
SS	Teflon	6000 psig at 200°F (414 bar at 93°C) 4000 psig at 500°F (276 bar at 260°C)
SS	GRAFOIL/ Low Emissions Graphite	6000 psig at 200°F (414 bar at 93°C) 1500 psig at 1000°F (103 bar at 538°C)
SG ①	Teflon	6000 psig at 200°F (414 bar at 93°C) 4000 psig at 500°F (276 bar at 260°C)
SG ①	GRAFOIL/ Low Emissions Graphite	6000 psig at 200°F (414 bar at 93°C) 1500 psig at 1000°F (103 bar at 538°C)
SG3 ②	Teflon	6000 psig at 200°F (414 bar at 93°C) 4000 psig at 500°F (276 bar at 260°C)
SG3 ②	GRAFOIL/ Low Emissions Graphite	6000 psig at 200°F (414 bar at 93°C) 1500 psig at 1000°F (103 bar at 538°C)

Pressure vs. Temperature



- ① SG (Sour Gas) meets the requirements of NACE MR0175-2002.
 ② SG3 (Sour Gas) meets the requirements of NACE MR0175-2003.

Ordering Information – KMC and KMT (Rosemount Coplanar Only)

KMC	<u>3</u>	<u>V</u>	<u>I</u>	<u>S</u>	-	<u>4</u>	-	<u>AL</u>
1.	2.	3.	4.	5.		6.		7.
1. Style KMC – Coplanar KMT – Double Flange	2. Type 2 – Two Valve (Static Pressure) 3 – Three Valve (ΔP)	3. Packing V – Teflon H – GRAFOIL E – Low Emissions Graphite	4. Seat I – Integral (Body Material)	5. Body Material S – 316 SS J – Hastelloy	6. End Connection 2 – 1/4-Inch FNPT 4 – 1/2-Inch FNPT	7. Options AL – Low Temperature Lubricant (Low Temperature Service -70°F) Not Available for CS Valves AM – KMC Mount Kit for 2-Inch Pipestand Mounting BL – Bonnet Lock Device CB – Ceramic Ball Ended Stem	CL – Cleaned for Chlorine Service OC – Cleaned for Oxygen Service HD – Hydrostatic Testing SG – Sour Gas Meets the Requirements of NACE MR0175-2002 SG3 – Sour Gas Meets the Requirements of NACE MR0175-2003 ST – Stellite Ball Ended Stem SB – Steam Block (KMC Only) KH5 – KH5VS-22 Vent Valve (2) (KMC3 Only) K1H5 – KH5VS-22 Vent Valve (1) (KMC2, KMC3 Only) SP – Special Requirements – Please Specify	

Kerotest KMC2, KMC3 & KMT3 Integral Manifolds

Ordering Information – KMC and KMT ASME B31.1

KMC 1.	3HP 2.	S – 4 3. 4.	XP – SP 5.	
1. Style KMC – Coplanar KMT – Double Flange	2. Type 2HP – Two Valve (Static Pressure) 3HP – Three Valve (ΔP) 5PHP – Five Valve (Power) (ΔP)	3. Material S – 316 SS	4. End Connection 2 – 1/4-Inch FNPT (Use if Futbol Mounting to Inlet) 4 – 1/2-Inch FNPT	5. Options AM – KMC Mount Kit for 2-Inch Pipestand Mounting SP – Special Requirements – Please Specify

Note: All manifolds come standard with GRAFOIL packing, integral seats, bonnet locks, and are subjected to hydrostatic testing.

Manifold ratings:

6000 psig @ 100°F (414 bar @ 38°C)

2915 psig @ 1000°F (201 bar @ 538°C)

Bolts and gaskets are not included. Contact factory if bolts or gaskets are required.

KMC and KMT ASME B31.1 and B31.3 specifications meet MSS-SP-105.

All product names referenced herein are trademarks of their respective companies.

Kerotest Manufacturing Corp.

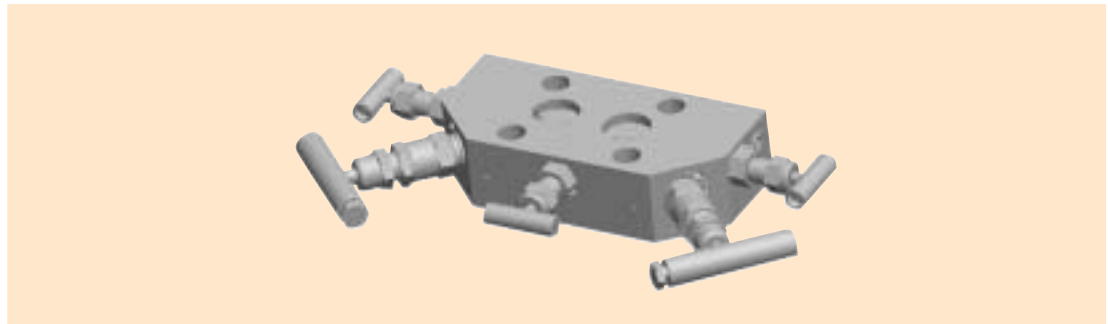
5500 Second Avenue, Pittsburgh, PA 15207

(412) 521-7688 FAX: (412) 521-7853

email: sales@kerotest.com

www.kerotest.com

Kerotest KMC5G 5-Valve Integral Manifold



Product Brief

The KMC5G is an integral manifold, intended for use with a specific transmitter brand. This model manifold is designed for Rosemount® Transmitter Models 3051, 2024 and 3095. They are light-weight and small, making an integrated package when mounted directly to and installed with the transmitter. The KMC5G manifold is also designed to be compatible with Rosemount Coplanar™ pressure transmitters including Models 3051C and 3051P.

Features/Benefits

- **Ball end stem.** Hardened, non-rotating ball ensures exact leak-tight closure every time.
- **Field-serviceable soft seat.** Allows replacement with valve still in the line.
- **Isolated stem threads.** Packing below stem threads keeps solids away. Prevents process contamination.
- **Bubble-tight shutoff.**
- **Chrome-plated stainless steel stem** prevents freezing and galling.
- **Metal-to-metal seal between bonnet and body.** Maintains thread integrity, prevents bonnet breakage and ensures reliable seal.
- **Locking pin ensures safety.** Bonnet lock pin keeps bonnet and body together.
- **Adjustable bonnet packing.** Increases valve life and maintains integrity of stem threads.
- **Rolled stem and bonnet threads** for increased strength and life.
- **No more stem blowouts.** No-blackout stem design prevents blowout problems and removal while in use.
- **Less parts** mean less leak points and less fugitive emissions.

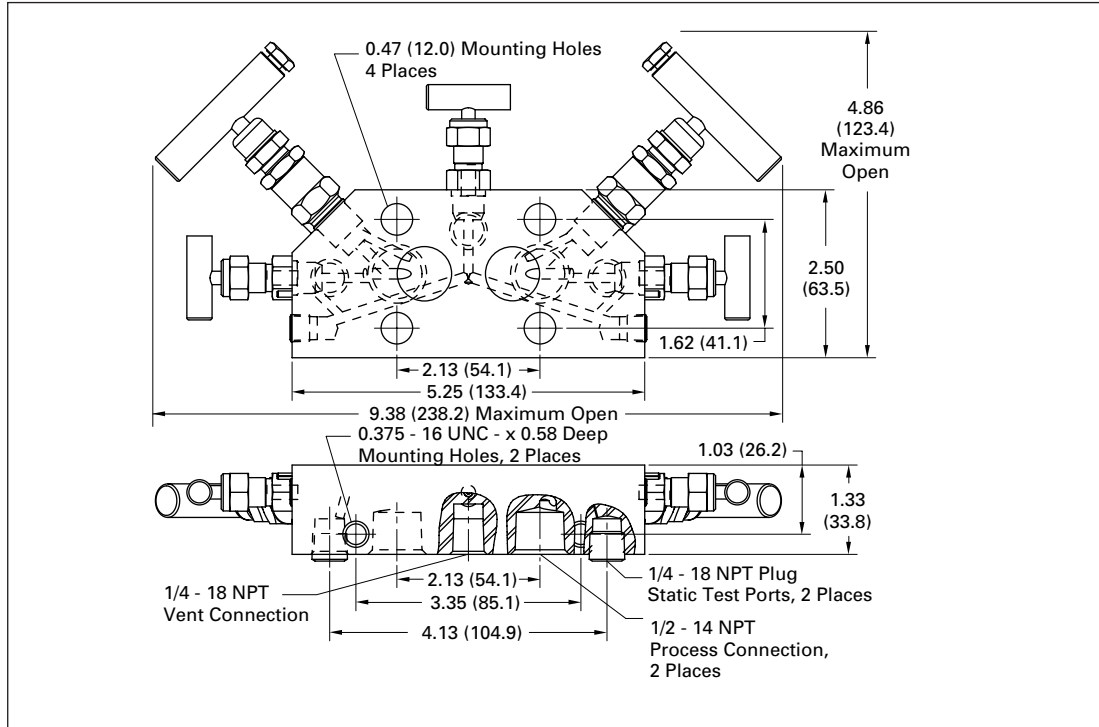


An Employee Owned Total Quality Management Company

Kerotest KMC5G 5-Valve Integral Manifold

Specifications

Dimensions in Inches (mm)



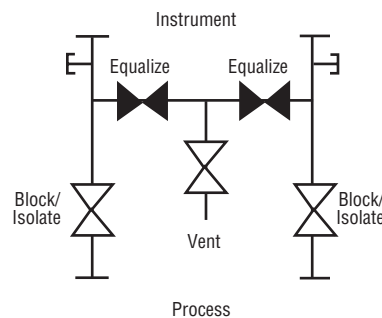
Standard Materials

Valve ①	Body and Bonnet	Stem and Ball	Packing
SS	A479-316 316	A276-316 316	Teflon®
SG ②	A479-316 316/Monel®	Monel 400 Monel K500	Teflon
SG3 ③	Hastelloy® C-276	Hastelloy C-276 Stellite	Teflon

Pressure and Temperature Ratings

Valve	Ratings
SS, SG ②, SG3 ③	6000 psig at 200°F (414 bar at 93°C) 4000 psig at 500°F (276 bar at 260°C)

- ① Approximate valve weight: 4.8 lb (2.2 kg)
0.136-inch (3.5 mm) diameter orifice.
Cv = .24, full open.
- ② SG (Sour Gas) meets the requirements of NACE MR0175-2002.
- ③ SG3 (Sour Gas) meets the requirements of NACE MR0175-2003.



Kerotest KMC5G 5-Valve Integral Manifold

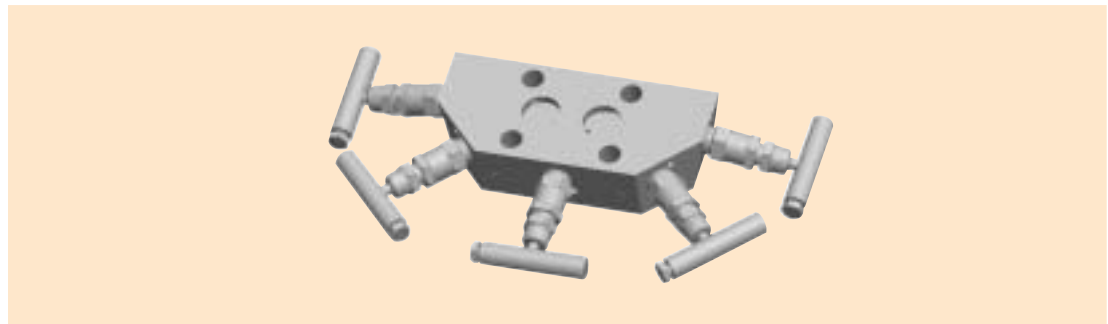
Ordering Information – KMC (Rosemount Coplanar Only)

KMC	<u>5G</u> 1.	<u>V</u> 2.	<u>I</u> 3.	<u>S</u> 4.	–	<u>4</u> 5.	–	<u>PS</u> 6.
Style			4. Body Material			6. Options		
KMC – Coplanar			S – 316 SS J – Hastelloy			AL – Low Temperature Lubricant (Low Temperature Service -70°F) Not Available for CS Valves		
1. Type			5. End Connection			AM – KMC Mount Kit for 2-Inch Pipestand Mounting		
5G – Five Valve (Gas) (ΔP) 5P – Five Valve (Power) (ΔP)			4 – 1/2-Inch FNPT			BL – Bonnet Lock Device CB – Ceramic Ball Ended Stem CL – Cleaned for Chlorine Service OC – Cleaned for Oxygen Service HD – Hydrostatic Testing SG – Sour Gas Meets the Requirements of NACE MR0175-2002 SG3 – Sour Gas Meets the Requirements of NACE MR0175-2003 ST – Stellite Ball Ended Stem SB – Steam Block PS – Static Test Ports (Required for KMC5G) SP – Special Requirements – Please Specify		
2. Packing								
V – Teflon								
3. Seat								
I – Integral (Body Material)								

Note: Bolts and gaskets are not included; contact factory if bolts or gaskets are required.

All product names referenced herein are trademarks of their respective companies.

Kerotest KMC5P Integral Manifold



Product Brief

The KMC5P is a five-valve manifold designed for use with specific Rosemount transmitters, Models 3051C, 3051P, 2024 and 3095 Multivariable transmitters. This manifold is primarily intended for power plant applications. See the KMC5G catalog for products for gas applications and the KMC2 catalog for other general application products. The manifold consists of two block valves, an equalizing valve and two integral test/vent valves.

Features/Benefits

- **Bubble-tight shutoff.** Every valve is 100% tested.
- **Space-saving design.** One compact valve replaces five. Much fewer connections means less leak paths means **less fugitive emissions.**
- **Cost-saving design.** Less parts means lower cost in the order of 20-30% compared to conventional two-valve installation.
- **Stem threads isolated** from the process fluid, eliminating process fluid contamination, lubricant washout and thread corrosion.
- **Mirror finish stems** enable smooth stem operation and extended packing life.
- **Adjustable packing** adjusts easily, increasing valve life and reducing downtime for packing replacement.
- **Multiple packing options** available including Teflon® and GRAFOIL®.
- **Ball-tipped stem design** prevents seat galling during valve closure.
- **Dust covers and bonnet locking pins** provided for each valve for added safety and reduced contamination of the bonnet assembly.

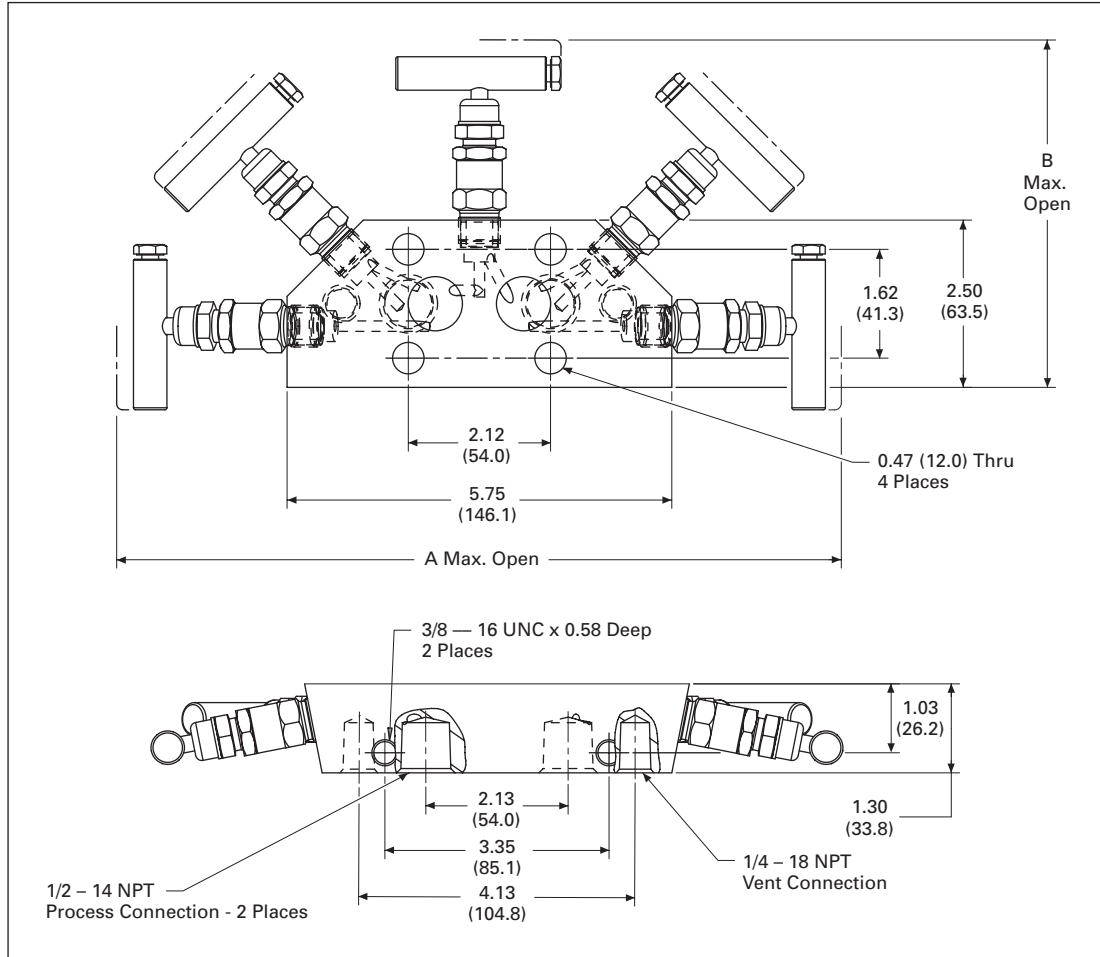


An Employee Owned Total Quality Management Company

Kerotest KMC5P Integral Manifold

Specifications

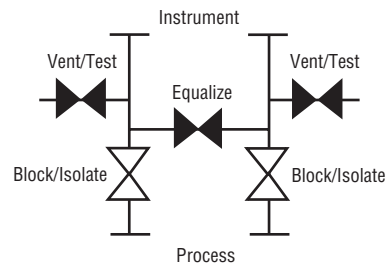
KMC5P Dimensions in Inches (mm)



Dimensions in Inches (mm)

Valve ①	A	B
Teflon Packed	10.95 (278.1)	5.10 (129.5)
GRAFOIL/Low Emissions Graphite Packed	12.40 (315.0)	5.75 (146.1)

- ① Approximate valve weight: 5.3 lb (2.4 kg).
0.156-inch (4.0 mm) diameter orifice size.
Cv = .36, full open.



Kerotest KMC5P Integral Manifold

Standard Materials

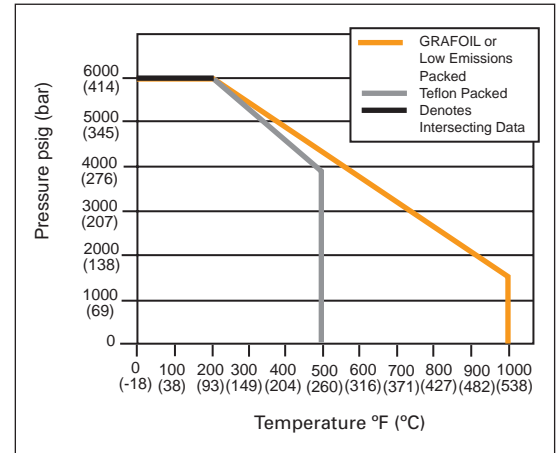
Valve	Body and Bonnet	Stem and Ball	Packing
SS	A479-316 316	A276-316 316	Teflon
SG ①	A479-316 316/Monel®	Monel 400 Monel K-500	Teflon
SG ②	Hastelloy® C-276	Hastelloy C-276 Stellite	Teflon

Pressure and Temperature Ratings

Valve	Ratings
SS, SG ①, SG3 ②	6000 psig at 200°F (414 bar at 93°C) 4000 psig at 500°F (276 bar at 260°C)

- ① SG (Sour Gas) meets the requirements of NACE MR0175-2002.
② SG3 (Sour Gas) meets the requirements of NACE MR0175-2003.

Pressure vs. Temperature



Ordering Information – KMC (Rosemount® Coplanar™ Only)

KMC5P

H
1.

I
2.

S
3.

-

4
4.

-

BL
5.

1. Packing

V – Teflon
H – GRAFOIL
E – Low Emissions Graphite

2. Seat

I – Integral (Body Material)

3. Body Material

S – 316 SS
J – Hastelloy

4. End Connection

4 – 1/2-Inch FNPT

5. Options

AL – Low Temperature Lubricant (Low Temperature Service -70°F) Not Available for CS Valves
AM – KMC Mount Kit for 2-Inch Pipestand Mounting
BL – Bonnet Lock Device

CB – Ceramic Ball Stem Tip
CL – Cleaned for Chlorine Service
OC – Cleaned for Oxygen Service
HD – Hydrostatic Testing
SG – Sour Gas Meets the Requirements of NACE MR0175-2002
SG3 – Sour Gas Meets the Requirements of NACE MR0175-2003
ST – Stellite Ball Stem Tip
SP – Special Requirements - Please Contact Factory

Note: Bolts and gaskets are not included. Contact factory if bolts and gaskets are required.

Kerotest KMC5P Integral Manifold

Ordering Information

KMC5PHP <u>S</u> - <u>4</u> - <u>XP</u> - <u>SP</u>		
1.	2.	3.
Style	2. End Connection	3. Options
KMC5PHP – Coplanar 5-Valve (Power) (ΔP)	4 – 1/2-Inch FNPT	AM – KMC Mount Kit for 2-Inch Pipestand Mounting SP – Special Requirements – Please Contact Factory
1. Body Material		
S – 316 SS		

Note: All manifolds come standard with GRAFOIL packing, integral seats, bonnet locks, and are subjected to hydrostatic testing.

Manifold ratings:

6000 psig @ 100°F (414 bar @ 38°C)

2915 psig @ 1000°F (201 bar @ 538°C)

Bolts and gaskets are not included. Contact factory if bolts or gaskets are required.

KMC ASME B31.1 and B31.3 meet MSS-SP-105.

All product names referenced herein are trademarks of their respective companies.

Kerotest Manufacturing Corp.

5500 Second Avenue, Pittsburgh, PA 15207

(412) 521-7688 FAX: (412) 521-7853

email: sales@kerotest.com

www.kerotest.com