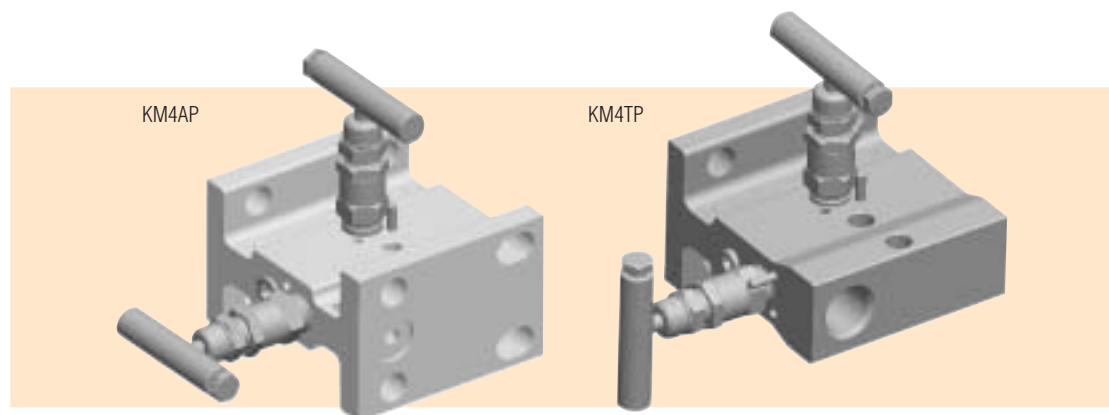


# Kerotest KM4AP & KM4TP Static Pressure Manifolds



## Product Brief

The KM4AP and KM4TP are two-valve, block and bleed style manifolds. These manifolds are intended for static pressure applications and are generally used with Differential Pressure (DP) style pressure transmitters. The block valve isolates the instrument (normally a transmitter) from the process and is normally open in service. When the block valve is closed to isolate the instrument, the bleed valve may be opened to safely vent pressure from the instrument. The KM4AP design permits the process signal line from the transmitter's flange to be connected directly to the manifold. The KM4TP design has a standard 1/2-inch FNPT inlet connection.

## Features/Benefits

- **Bubble-tight shutoff.** Every valve is 100% tested.
- **Space-saving design.** One valve replaces two. Less connections means less leak paths means **less fugitive emissions.**
- **Cost-saving design.** Less parts means lower cost in the order of 20-30% compared to conventional two-valve installation.
- **Stem threads** isolated from the process fluid, eliminating process fluid contamination.
- **Direct pipestand mounting.** Requires KMC Mounting Kit. Permits complete piping installation without the transmitter to minimize potential instrument damage during construction.
- **Multiple packing options** available including Teflon® and GRAFOIL®.
- **Ball-tipped stem design** prevents seat galling during valve closure.

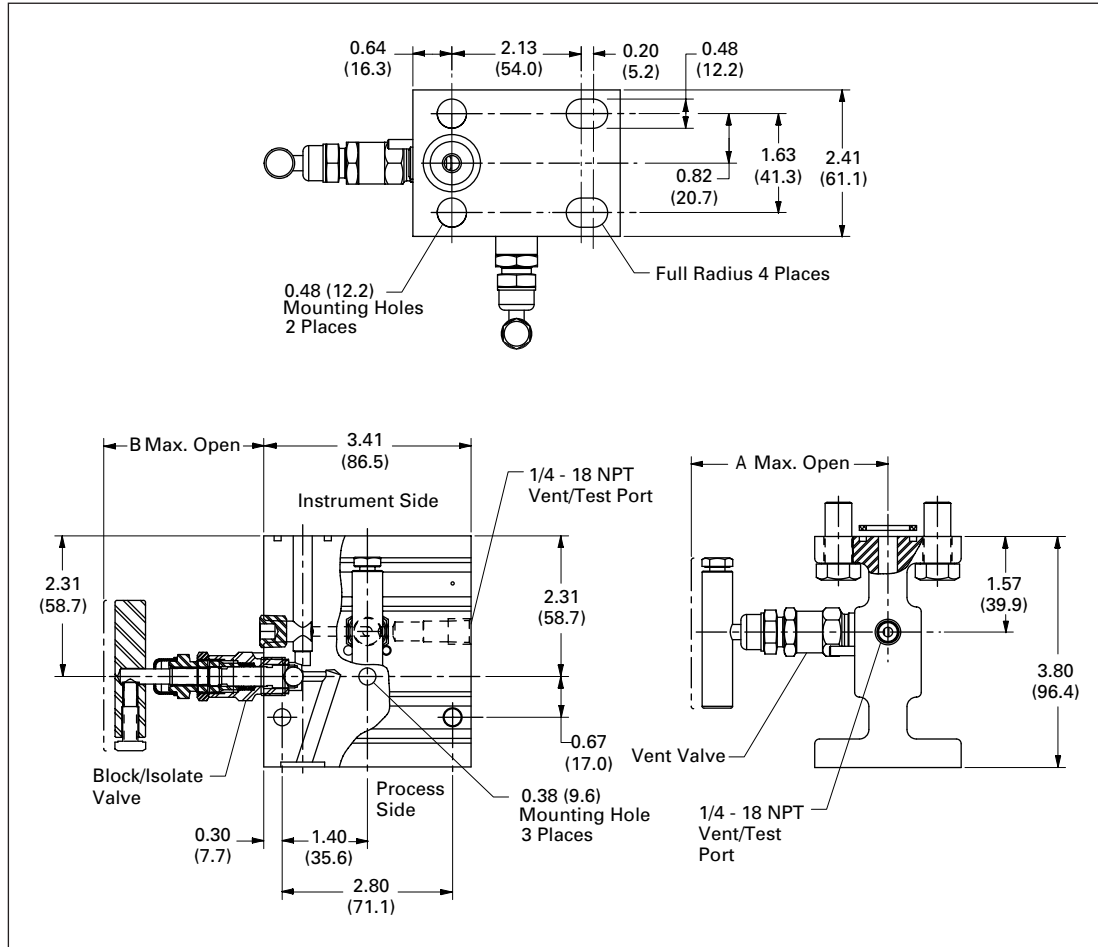


*An Employee Owned Total Quality Management Company*

# Kerotest KM4AP & KM4TP Static Pressure Manifolds

## Specifications

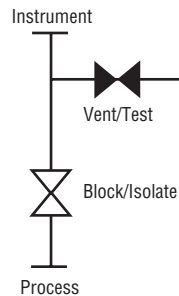
KM4AP Metal Seat (Soft Seat Available) – Dimensions in Inches (mm)



### Dimensions in Inches (mm)

Packing	A	B
Teflon	3.14 (79.8)	2.60 (66.0)
GRAFOIL/ Low Emissions Graphite	3.79 (96.3)	3.25 (82.6)

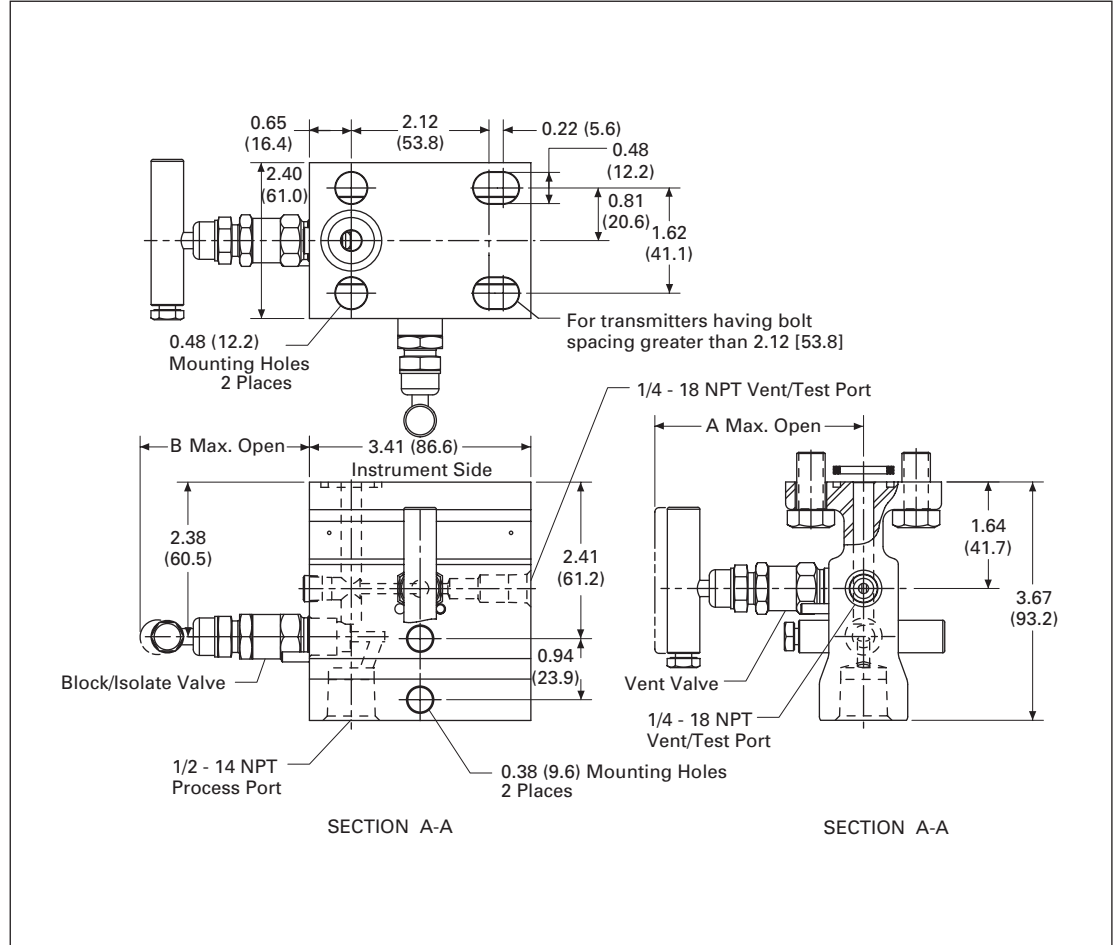
**Note:** Approximate valve weight: 4.3 lb (2.0 kg).  
 Metal Seat: 0.156-inch (4 mm) diameter orifice.  
 Cv = .36, full open.  
 Soft Seat: 0.187-Inch (4.8 mm) diameter orifice.  
 Cv = .83, full open.



# Kerotest KM4AP & KM4TP Static Pressure Manifolds

## Specifications

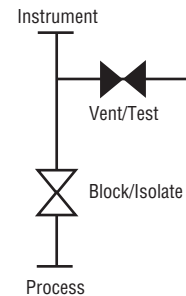
KM4TP Metal Seat (Soft Seat Available) – Dimensions in Inches (mm)



### Dimensions in Inches (mm)

Packing	A	B
Teflon	3.14 (79.8)	2.60 (66.0)
GRAFOIL/ Low Emissions Graphite	3.79 (96.3)	3.25 (82.6)

**Note:** Approximate valve weight: 4.2 lb (1.9 kg).  
 Metal Seat: 0.156-inch (4 mm) diameter orifice.  
 Cv = .36, full open.  
 Soft Seat: 0.187-inch (4.8 mm) diameter orifice.  
 Cv = .83, full open.



# Kerotest KM4AP & KM4TP Static Pressure Manifolds

## Standard Materials

Valve	Body	Bonnet	Stem	Ball	Bolts	Packing
CS ①	A576-10L18	A108	A581-303	17-4 PH	A193-B7	Teflon
CS①	A576-10L18	A105	A581-303	17-4 PH	A193-B7	GRAFOIL
316 SS	A479-316	A479-316	A276-316	316 SS	A193-B7	Teflon
316 SS	A479-316	A479-316	A276-316	316 SS	A193-B7	GRAFOIL
SG ②	A479-316	A479-316	Monel 400	Monel K500	A193-B7	Teflon
Monel®	Monel 400	Monel R405	Monel 400	Monel K500	A193-B7	Teflon
SG3 ③	Hastelloy® C276	Hastelloy C276	Hastelloy C276	Stellite	A193-B7	Teflon

## Pressure and Temperature Ratings ④

Packing	Valve	Seat	Pressure and Temperature Ratings
Teflon	CS, SS	Delrin®	6000 psig @ 200°F (414 bar @ 93°C)
Teflon	CS, SS	PEEK	6000 psig @ 200°F (414 bar @ 93°C) 2000 psig @ 400°F (138 bar @ 204°C)
Teflon	CS, SS	Teflon	1000 psig @ 150°F (69 bar @ 66°C) 200 psig @ 500°F (14 bar @ 260°C)
Teflon	CS, SS	Integral	6000 psig @ 200°F (414 bar @ 93°C) 4000 psig @ 500°F (276 bar @ 260°C)
Teflon	Monel	Integral	5300 psig @ 200°F (365 bar @ 93°C) 4200 psig @ 500°F (290 bar @ 260°C)
GRAFOIL/Low Emissions Graphite	CS	Integral	6000 psig @ 200°F (414 bar @ 93°C) 4000 psig @ 600°F (276 bar @ 316°C)
GRAFOIL/Low Emissions Graphite	SS	Integral	6000 psig @ 200°F (414 bar @ 93°C) 1500 psig @ 1000°F (103 bar @ 538°C)

① CS is zinc cobalt-plated to prevent corrosion.

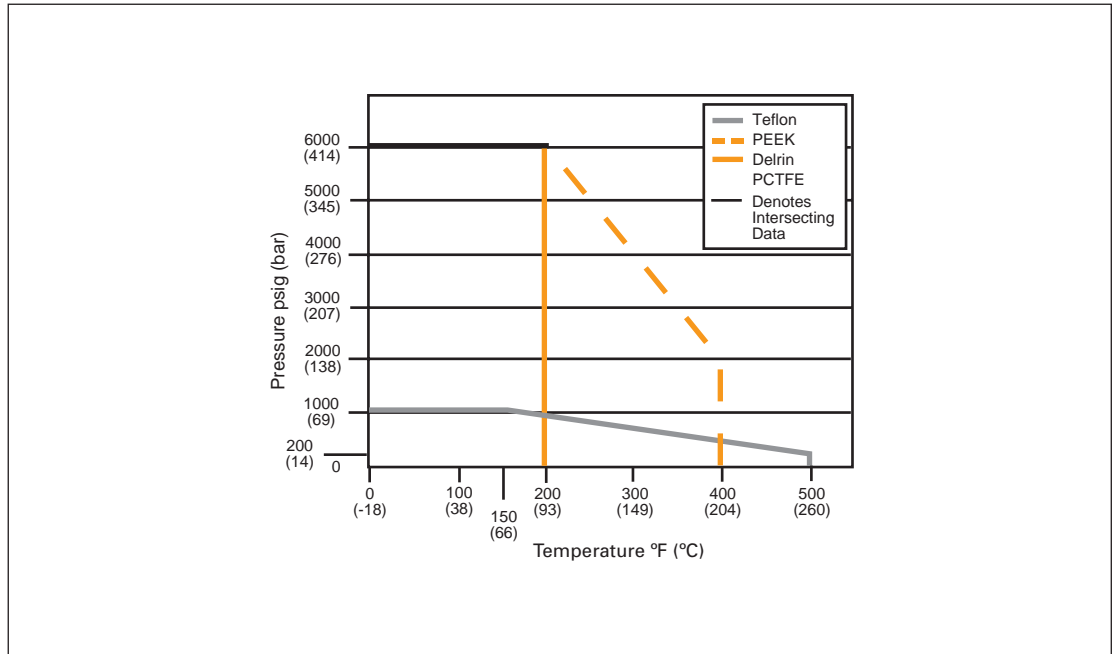
② SG (Sour Gas) meets the requirements of NACE MR0175-2002.

③ SG3 (Sour Gas) meets the requirements of NACE MR0175-2003.

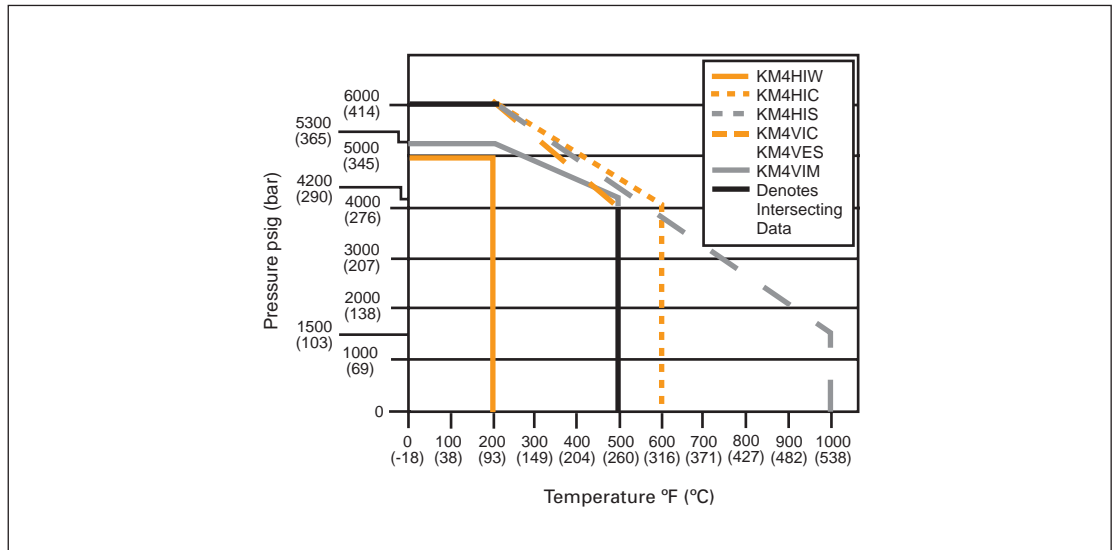
④ 316 SS bolts lower pressure ratings to a maximum of 4500 psig (310 bar).

# Kerotest KM4AP & KM4TP Static Pressure Manifolds

## Pressure vs. Temperature – Soft Seat



## Pressure vs. Temperature – Metal Seat



**Note:** PCTFE (Polychlorotrifluoroethylene) is the exact equivalent of Kel-F®.  
316 SS bolts lower pressure ratings to maximum of 4500 psig (310 bar).

# Kerotest KM4AP & KM4TP Static Pressure Manifolds

## Ordering Information

<b>KM4TP</b>	<b><u>V</u></b>	<b><u>D</u></b>	<b><u>C</u></b>	-	<b><u>4</u></b>	-	<b><u>AM</u></b>
1.	2.	3.	4.		5.		6.

<p><b>1. Valve Type</b></p> <p><b>KM4AP</b> – Flange x Flange <b>KM4TP</b> – FNPT x Flange</p>	<p><b>4. Body Material</b></p> <p><b>C</b> – CS <b>W</b> – 316L SS <b>S</b> – 316 SS <b>J</b> – Hastelloy <b>M</b> – Monel</p>	<p><b>CL</b> – Cleaned for Chlorine Service <b>HD</b> – Hydrostatic Testing (100%) <b>LP</b> – Street Elbows and Top Purge Ports <b>OC</b> – Cleaned for Oxygen Service <b>PB</b> – Bottom Purge Port (Metal Seat Only) <b>PT</b> – Top Purge Port (Metal Seat Only) (If Elbow is Required, Specify LP, not PT) <b>R3V</b> – Add for Use with Rosemount® Model 3051C (SS 18-8 Bolts) <b>SB</b> – Steam Block (CS) <b>SSA</b><sup>①</sup> – SS Flange Bolt (Grade 18-8) – Maximum Pressure Rating 4500 psig (310 bar) <b>SSC</b> – 316 Flange Bolt (B8M) – Maximum Pressure Rating 4500 psig (310 bar) <b>SG</b> – Sour Gas Meets the Requirements of NACE MR0175-2002 (SS Valves Only) <b>SG3</b> – Sour Gas meets the requirements of NACE MR0175-2003 <b>SP</b> – Special Requirements – Please Specify</p>
<p><b>2. Bonnet Packing</b></p> <p><b>V</b> – Teflon (Soft and Integral Seats) <b>H</b> – GRAFOIL (Integral Seat Only) <b>E</b> – Low Emissions Graphite (Integral Seat Only)</p>	<p><b>5. Process Connections</b></p> <p><b>4</b> – 1/2-Inch FNPT (KM4TP Only)</p>	
<p><b>3. Seat Material</b></p> <p><b>D</b> – Delrin (Standard) <b>V</b> – Teflon <b>E</b> – PEEK <b>K</b> – PCTFE (Polychlorotrifluoroethylene) is the exact equivalent of Kel-F <b>I</b> – Integral (Body Material)</p>	<p><b>6. Options</b></p> <p><b>AM</b> – KMC Mount Kit for 2-Inch Pipestand Mounting of Manifold <b>BC</b> – Accessory Bracket for Mounting Conduit with KMC Mount <b>BP</b> – Accessory Bracket for Mounting Purge Meters with KMC Mount</p>	

① 316 SS bolts lower pressure ratings to maximum of 4500 psig (310 bar).

# Kerotest KM4AP & KM4TP Static Pressure Manifolds

## Ordering Information

<b>KM4TPHP</b> <b><u>S</u></b> - <b><u>4</u></b> - <b><u>XP</u></b> - <b><u>SP</u></b> 1.                      2.                      3.		
<b>1. Body Material</b> C – CS, A105 S – 316 SS W – 316L SS J – Hastelloy	<b>2. Process Connections</b> <b>4</b> – 1/2-Inch FNPT <b>4AT</b> – Integral 1/2-Inch Single Ferrule Tube Fittings 316 SS Ferrule and Nut <b>4ATD</b> – Integral 1/2-Inch Dual Ferrule Tube Fittings 316 SS Ferrule and Nut <b>4TB</b> – 1/2-Inch Tube S.W. x Flange x 1/4-Inch FNPT	<b>3. Options</b> <b>AM</b> – KMC Mount Kit for 2-Inch Pipestand Mounting of Manifold <b>R3V</b> – Add for use with Rosemount Model 3051C (SS 18-8 Bolts) <b>SB</b> – Steam Block (CS) <b>SSA</b> <sup>①</sup> – SS Flange Bolt (Grade 18-8) – Maximum Pressure Rating 4500 psig (310 bar) <b>SSC</b> <sup>①</sup> – 316 Flange Bolt (B8M) – Maximum Pressure Rating 4500 psig (310 bar) <b>SP</b> – Special Requirements – Please Specify

**Note:** All manifolds come standard with GRAFOIL packing, integral seats, bonnet locks, and are subjected to hydrostatic testing. KM4TP ASME B31.1 and B31.3 specifications meet MSS-SP-105.

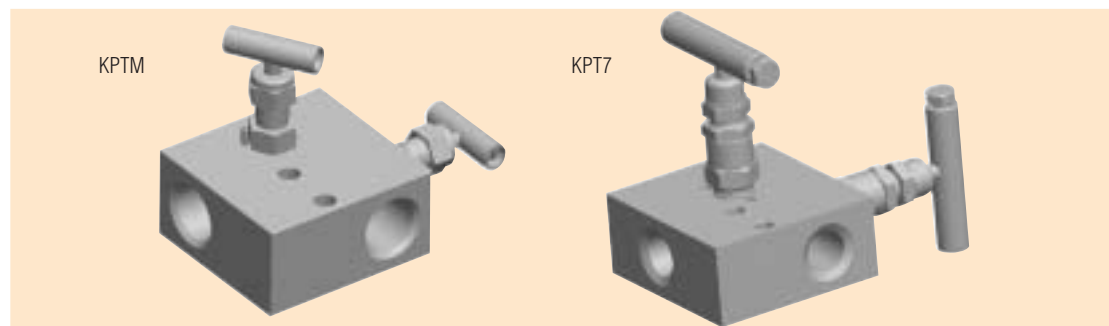
Manifold ratings:

SST	6000 psig @ 100°F	(414 bar @ 38°C)
	2915 psig @ 1000°F	(201 bar @ 538°C)
STL	6170 psig @ 100°F	(425 bar @ 38°C)
	3430 psig @ 800°F	(236 bar @ 427°C)

① 316 SS bolts lower pressure ratings to a maximum of 4500 psig (310 bar).

*All product names referenced herein are trademarks of their respective companies.*

# Kerotest KPTM & KPT7 2-Valve Static Pressure Manifolds



## Product Brief

The KPT two-valve manifolds are used primarily to calibrate static pressure transmitters, switches or gauges. All necessary hardware including a shutoff valve, calibration valve, tee and other tubing are all contained in one product. The KPT series of manifolds are available with either replaceable soft seats or an integral metal seat. The KPTM manifold includes a special valve seat that can be converted from a hard or metal seat to a soft seat by simply removing two washers. The KPT7 manifold is intended for high temperature applications. It has an integral metal seat.

## Features/Benefits

- **Bubble-tight shutoff.** Every valve is 100% tested.
- **Space-saving design.** One compact valve replaces two. Fewer connections means less leak paths means **less fugitive emissions.**
- **Cost-saving design.** Less parts means lower cost in the order of 20-30% compared to conventional two-valve installation.
- **Stem threads isolated** from the process fluid, eliminating process fluid contamination, lubricant washout and thread corrosion.
- **Mirror finish stems** enable smooth stem operation and extended packing life.
- **Rolled threads** on the stem and in the bonnet increase strength, reduce galling and extend the service life of the valve.
- **Adjustable packing** adjusts easily, increasing valve life and reducing downtime for packing replacement.
- **Multiple packing options** available including Teflon® and GRAFOIL®.



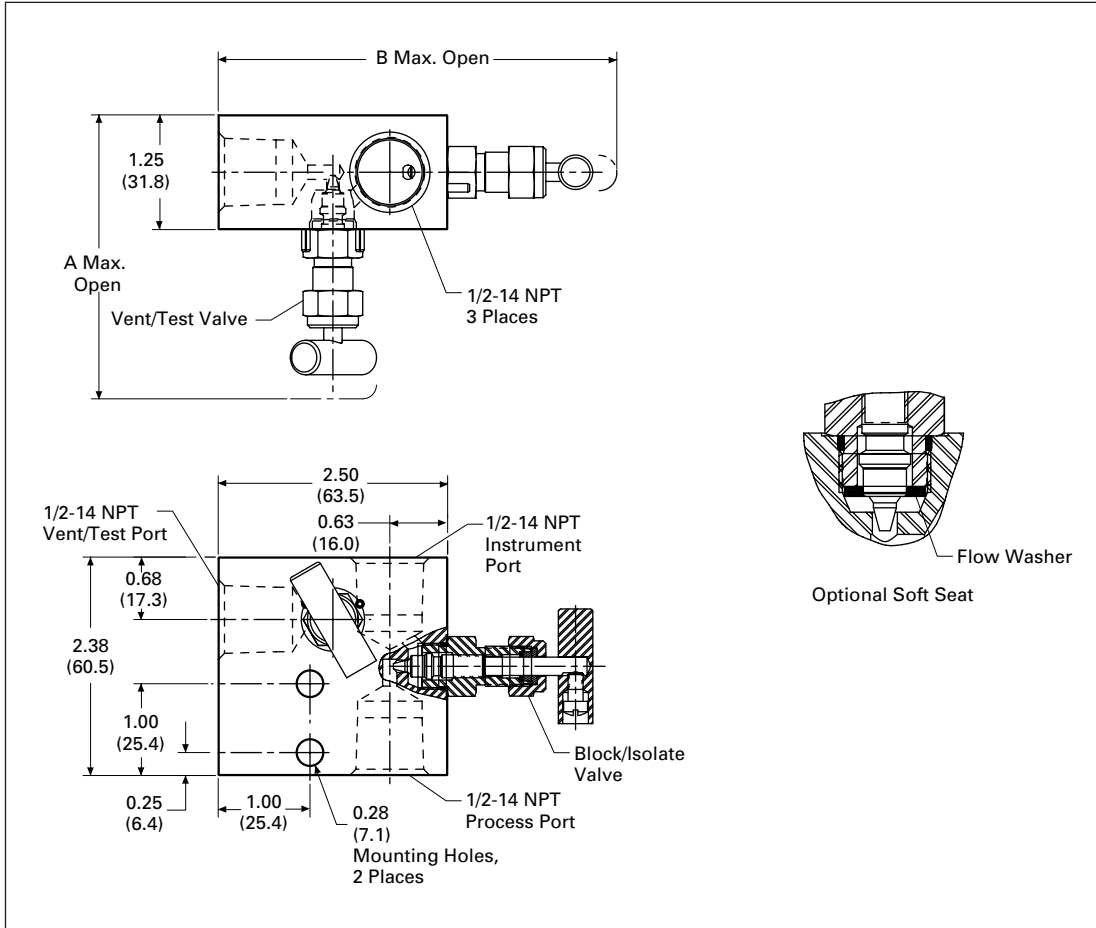
*An Employee Owned Total Quality Management Company*



# Kerotest KPTM & KPT7 2-Valve Static Pressure Manifolds

## Specifications

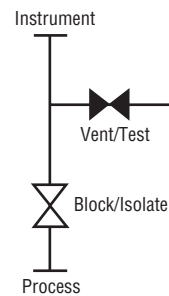
KPTM Dimensions in Inches (mm)



### Dimensions in Inches (mm)

Packing	A	B
O-ring	2.50 (63.5)	3.75 (95.3)
Teflon	3.10 (78.7)	4.35 (110.5)

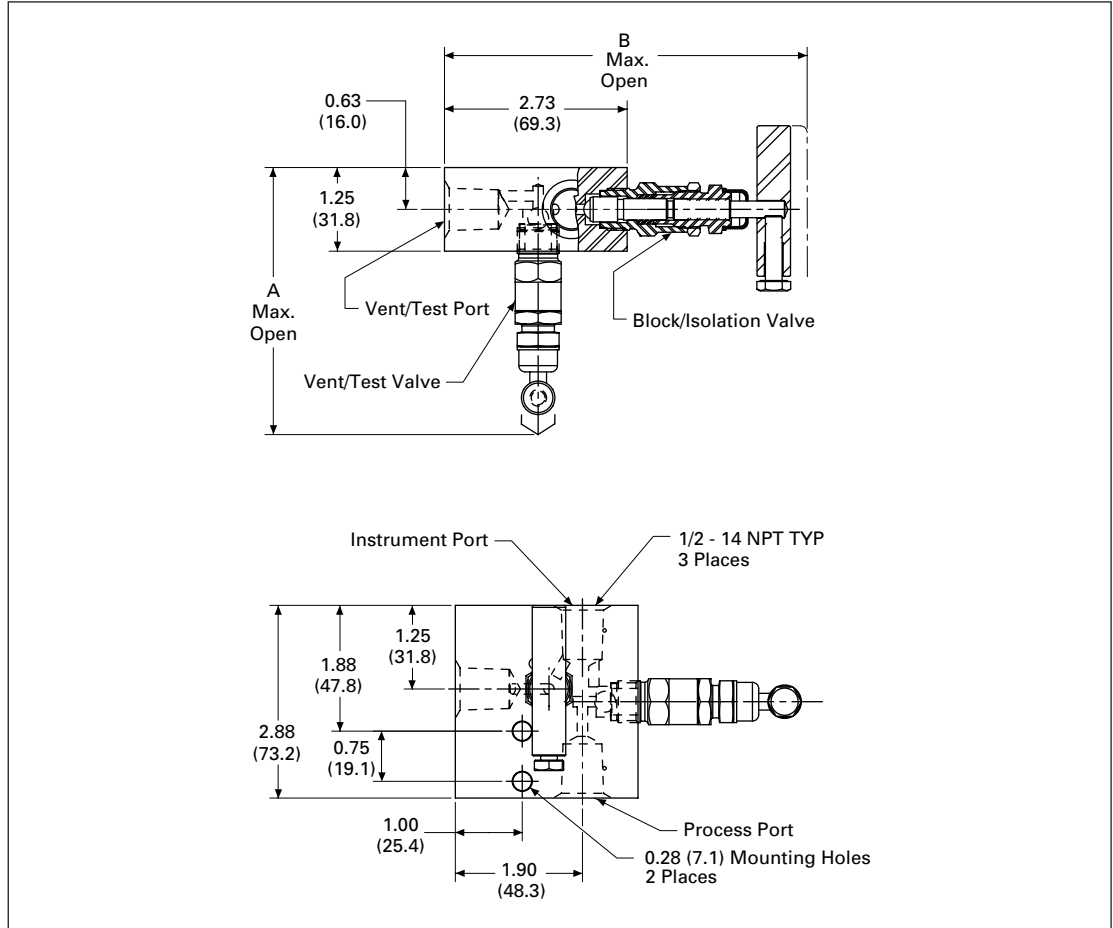
**Note:** Approximate valve weight: 2.0 lb (0.9 kg).  
 Metal Seat: 0.136-inch (3.5 mm) diameter orifice.  
 Cv = .25, full open.  
 Soft Seat: 0.136-inch (3.5 mm) diameter orifice.  
 Cv = .24, full open.



# Kerotest KPTM & KPT7 2-Valve Static Pressure Manifolds

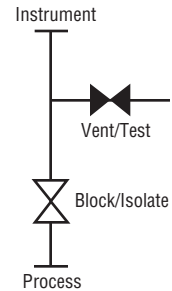
## Specifications

KPT7 Dimensions in Inches (mm)



### Dimensions in Inches (mm)

Packing	A	B
Teflon	3.85 (97.8)	5.33 (135.4)
GRAFOIL	4.50 (114.3)	5.98 (151.9)



# Kerotest KPTM & KPT7 2-Valve Static Pressure Manifolds

## Standard Materials

Valve ①	Body	Bonnet	Stem	Ball	Packing
CS ②	A105	A108	A581-303	17-4 PH	Teflon
CS ②	A105	A105	A581-303	17-4 PH	GRAFOIL/Low Emissions Graphite
SS	SS, A479-316	SS, A479-316	A276-316	316	Teflon
SS	SS, A479-316	SS, A479-316	A276-316	316	GRAFOIL/Low Emissions Graphite
SG ③	SS, A479-316	SS, A479-316	Monel® 400	Monel K500	Teflon
SG ③	SS, A479-316	SS, A479-316	Monel 400	Monel K500	GRAFOIL/Low Emissions Graphite
SG3 ④	Hastelloy® C276	Hastelloy C276	Hastelloy C276	Stellite	Teflon

- ① Approximate valve weight: 3.0 lb (1.4 kg)  
0.187-inch (4.8 mm) diameter orifice.  
Cv = .52, full open.
- ② CS is zinc cobalt-plated to prevent corrosion.
- ③ SG (Sour Gas) meets the requirements of NACE MR0175-2002.
- ④ SG3 (Sour Gas) meets the requirements of NACE MR0175-2003.

## Pressure and Temperature Ratings – KPTM

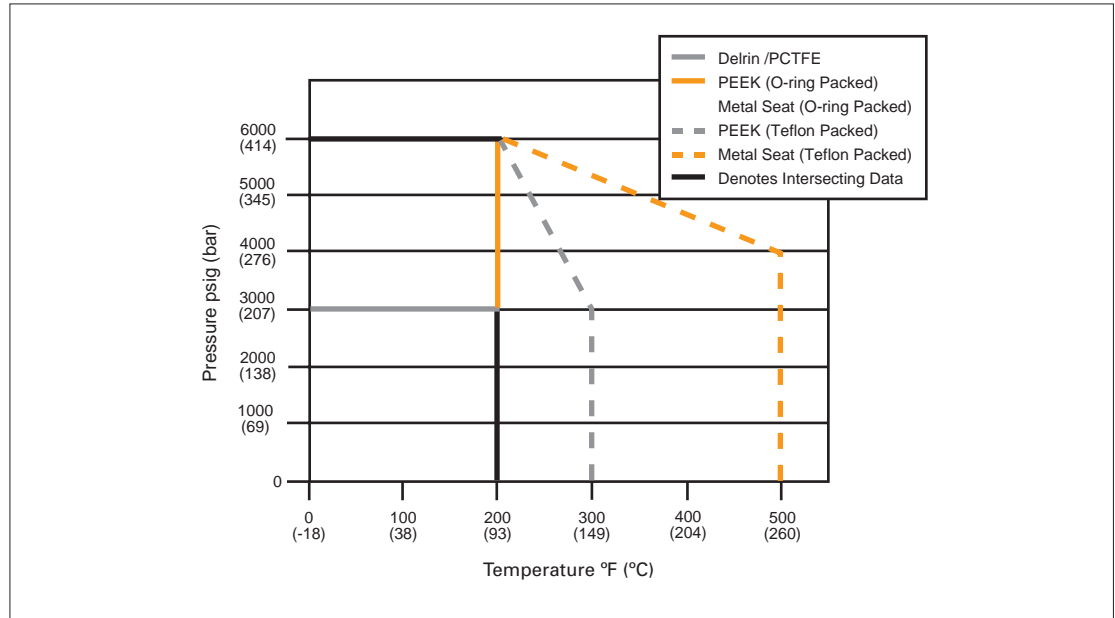
Packing	PCTFE/Delrin® Seat	PEEK Seat	Metal Seat
Teflon	3000 psig @ 200°F (207 bar @ 93°C)	6000 psig @ 200°F (414 bar @ 93°C) 3000 psig @ 300°F (207 bar @ 149°C)	6000 psig @ 200°F (414 bar @ 93°C) 4000 psig @ 500°F (276 bar @ 260°C)
O-ring	3000 psig @ 200°F (207 bar @ 93°C)	6000 psig @ 200°F (414 bar @ 93°C)	6000 psig @ 200°F (414 bar @ 93°C)

## Pressure and Temperature Ratings – KPT7

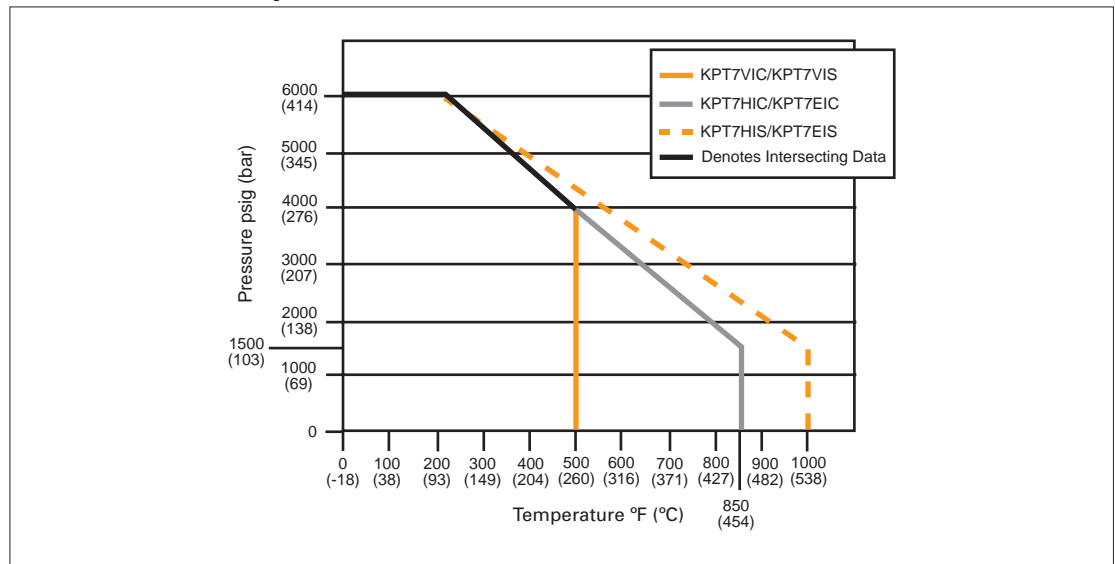
Valve	Packing	Ratings
CS	Teflon	6000 psig @ 200°F (414 bar @ 93°C) 4000 psig @ 500°F (276 bar @ 260°C)
CS	GRAFOIL/Low Emissions Graphite	6000 psig @ 200°F (414 bar @ 93°C) 1500 psig @ 850°F (103 bar @ 454°C)
SS	Teflon	6000 psig @ 200°F (414 bar @ 93°C) 4000 psig @ 500°F (276 bar @ 260°C)
SS	GRAFOIL/Low Emissions Graphite	6000 psig @ 200°F (414 bar @ 93°C) 1500 psig @ 1000°F (103 bar @ 538°C)
SG SG3	Teflon	6000 psig @ 200°F (414 bar @ 93°C) 4000 psig @ 500°F (276 bar @ 260°C)
SG SG3	GRAFOIL/Low Emissions Graphite	6000 psig @ 200°F (414 bar @ 93°C) 1500 psig @ 1000°F (103 bar @ 538°C)

# Kerotest KPTM & KPT7 2-Valve Static Pressure Manifolds

## Pressure vs. Temperature – KPTM



## Pressure vs. Temperature – KPT7



# Kerotest KPTM & KPT7 2-Valve Static Pressure Manifolds

## Ordering Information

**KPTM**    V    D    S    -    4    -    SG  
1.    2.    3.    4.    5.

### 1. Bonnet Packing

**V** – Teflon  
**R** – O-ring (SS - Viton, CS - BUNA-N) (Soft Seat Only)

### 2. Seat Material

**D** – Delrin (Standard)  
**K** – PCTFE  
**E** – PEEK  
**I** – Integral (Body Material)

### 3. Body Material

**C** – A108  
**S** – A479-316 SS  
**M** – Monel 400  
**W** – 316L SS  
**J** – Hastelloy

### 4. Connections

**4** – 1/2-Inch FNPT

### 5. Options

**AL** – Low Temperature Lubricant (Low Temperature Service) Not Available for CS Valves  
**AM** – KMC Mount Kit for 2-Inch Pipe Mounting of Manifold  
**CL** – Cleaned for Chlorine Service  
**OC** – Cleaned for Oxygen Service  
**HD** – Hydrostatic Testing (100%) (MSS-SP-61)  
**MS** – Monel Stem  
**PHB** – Phenolic Black Handle  
**PHG** – Phenolic Green Handle  
**PHR** – Phenolic Red Handle  
**PM** – Panel Mount

**PV** – Plug Vent  
**SG** – Sour Gas Meets the Requirements of NACE MR0175-2002 (SS Valves Only) (Not Available for O-ring Packed Valves)  
**SG3** – Sour Gas Meets the Requirements of NACE MR0175-2003  
**SP** – Special Requirements – Please Specify

# Kerotest KPTM & KPT7 2-Valve Static Pressure Manifolds

## Ordering Information

**KPT7**    V    I    S    -    4    -    SG  
1.    2.    3.       4.       5.

### 1. Bonnet Packing

**V** – Teflon  
**H** – GRAFOIL  
**E** – Low Emissions Graphite

### 2. Seat Material

**I** – Integral (Body Material)

### 3. Body Material

**C** – A105  
**S** – A479-316 SS  
**W** – 316L SS  
**J** – Hastelloy

### 4. Connections

**4** – 1/2-Inch FNPT

### 5. Options

**AL** – Low Temperature Lubricant  
(Low Temperature Service)  
Now Available for CS Valves  
**AM** – KMC Mount Kit for 2-Inch  
Pipe Mounting of Manifold  
**CL** – Cleaned for Chlorine Service  
**OC** – Cleaned for Oxygen Service  
**HD** – Hydrostatic Testing (100%)  
(MSS-SP-61)  
**MS** – Monel Stem

**PO** – Plug Option  
**SG** – Sour Gas Meets the  
Requirements of NACE  
MR0175-2002 (SS Valves  
Only) (Not Available for O-ring  
Packed Valves)  
**SG3** – Sour Gas Meets the  
Requirements of NACE  
MR0175-2003  
**SP** – Special Requirements –  
Please Specify

# Kerotest KPTM & KPT7 2-Valve Static Pressure Manifolds

## Ordering Information – ASME B31.1

**KPT7MHP**    **S** – **4** – **XP** – **SP**  
 1.                      2.                      3.

### 1. Body Material

**C** – A105  
**S** – A479-316 SS  
**J** – Hastelloy

### 2. Connections (Process x Instrument x Vent)

**3** – 3/8-Inch FNPT x 3/8-Inch  
 FNPT x 3/8-Inch FNPT  
**3TC** – 3/8-Inch Tube Stub (6 x  
 0.065 Inches) – All  
 Connections  
**3TC4** – 3/8 Inch Tube Stub (6 x  
 0.065 Inches) x 3/8-Inch  
 Tube Stub x 1/2-Inch FNPT

**3TC44** – 3/8-Inch Tube Stub  
 (6 x 0.065 Inches) x  
 1/2-Inch FNPT x 1/2-Inch  
 FNPT

**4** – 1/2-Inch FNPT x 1/2-Inch  
 FNPT x 1/2-Inch FNPT

**422** – 1/2-Inch FNPT x 1/4-Inch  
 FNPT x 1/4-Inch FNPT

**442** – 1/2-Inch FNPT x 1/2-Inch  
 FNPT x 1/4-Inch FNPT

**4B2** – 1/2-Inch PSW x 1/4-Inch  
 FNPT x 1/4-Inch FNPT

**4TC4** – 1/2-Inch Tube Stub (6 x  
 0.095 Inches) x 1/2-Inch  
 Tube Stub x 1/2-Inch FNPT

**4TC44** – 1/2-Inch Tube Stub (6 x  
 0.095 Inches) x 1/2-Inch  
 FNPT x 1/2-Inch FNPT

### 3. Options

**AM** – KMC Mount Kit for 2-Inch  
 Pipe Mounting of Manifold

**PO** – Plug Outlet

**SP** – Special Requirements –  
 Please Specify

**Note:** All Manifolds come standard with GRAFOIL packing, integral seats, bonnet locks, and are subjected to hydrostatic testing. KPT7M ASME B31.1 and B31.3 Specifications meet MSS-SP-105.

Manifold ratings:

SST	6000 psig @ 100°F (414 bar @ 38°C)	2915 psig @ 1000°F (201 bar @ 538°C)
STL	6170 psig @ 100°F (425 bar @ 38°C)	3430 psig @ 800°F (236 bar @ 427°C)
Monel	5000 psig @ 100°F (345 bar @ 38°C)	2911 psig @ 900°F (201 bar @ 482°C)

*All product names referenced herein are trademarks of their respective companies.*

## Kerotest Manufacturing Corp.

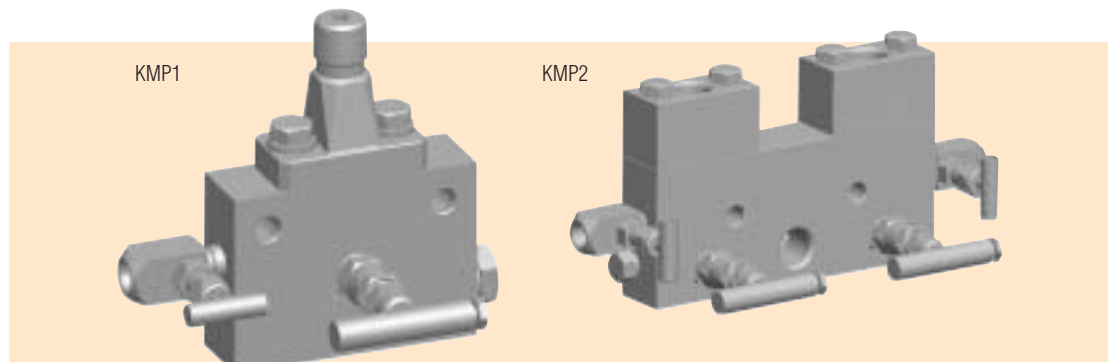
5500 Second Avenue, Pittsburgh, PA 15207

(412) 521-7688 FAX: (412) 521-7853

email: sales@kerotest.com

www.kerotest.com

# Kerotest KMP1 & KMP2 Static Pressure Manifolds



## Product Brief

The KMP1 is a two-valve manifold used primarily for single instrument applications such as test, calibration, block and bleed and instrument zeroing. The KMP1 functions both as the manifold valve and also as the mount for the instrument, all in the same unit. The KMP2 manifold provides the same functions as the KMP1 except two different instruments may be installed simultaneously and both supplied from a single pressure source. It has dual block and bleed valves serving the exact same functions as the KMP1 manifold, except for two instruments rather than one. The KMP2 manifold also serves as the mount for two instruments. The pressure instruments are connected to either manifolds via 1/2-inch FNPT or 1/2-inch MNPT union connectors.

## Features/Benefits

- **Bubble-tight shutoff.** Every valve is 100% tested.
- **Space-saving design.** One compact valve replaces two or four valves. Fewer connections means less leak paths means less fugitive emissions.
- **Cost-saving design.** Less parts means lower cost in the order of 25-30% compared to conventional two-valve installation.
- **Stem threads** isolated from the process fluid, eliminating process fluid contamination, lubricant washout and thread corrosion.
- **Stem end “ball” design** ensures the stem will not rotate against the body seat, eliminating seat galling, improving seat tightness and extending the life of the valve.
- **Mirror finish stems** enable smooth stem operation and extended packing life.
- **The KMC mounting** arrangement provides for secure mounting of the instrument to the manifold.
- **Rolled threads** on the stem and in the bonnet increase strength, reduce galling and extend the service life of the valve.
- **Adjustable packing** adjusts easily, increasing valve life and reducing downtime for packing replacement.
- **Multiple packing options** available including Teflon® and GRAFOIL®.



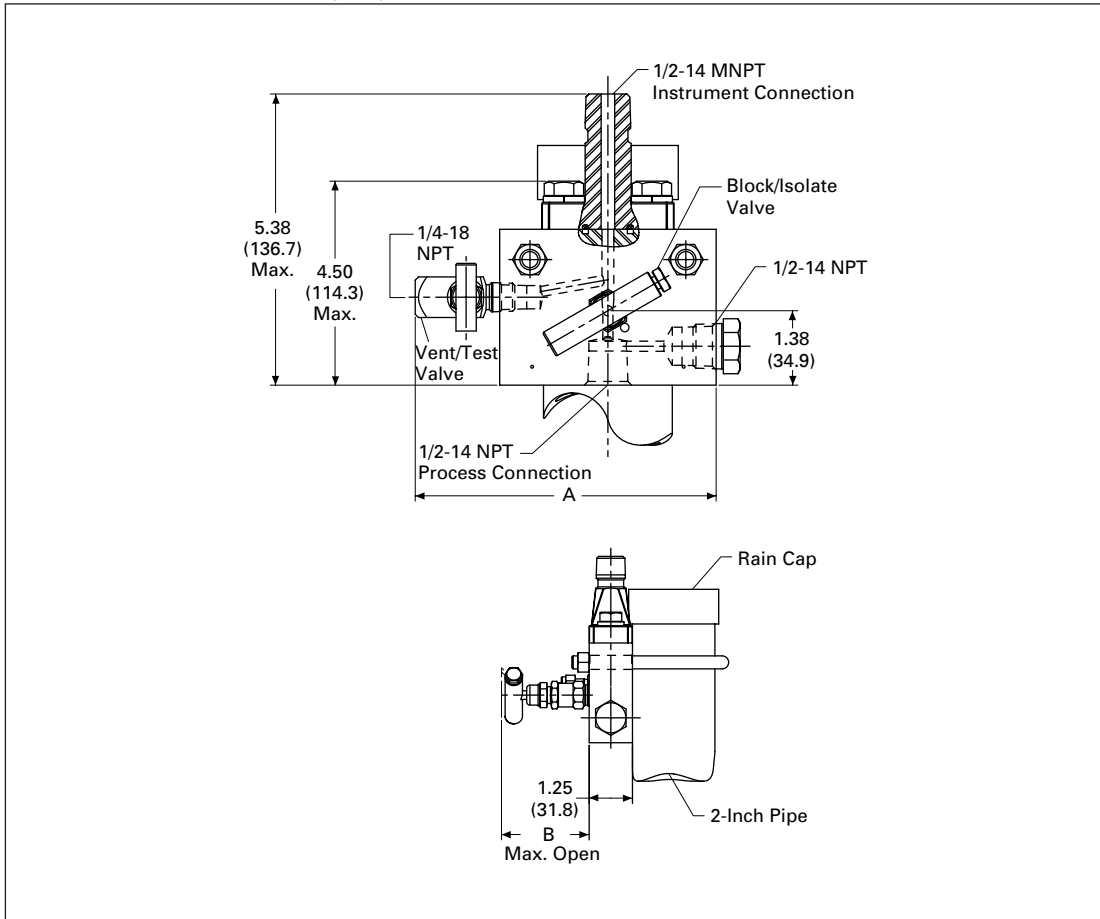
*An Employee Owned Total Quality Management Company*



# Kerotest KMP1 & KMP2 Static Pressure Manifolds

## Specifications

KMP1 Dimensions in Inches (mm)

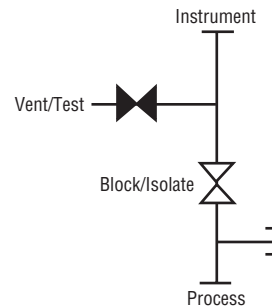


### Dimensions in Inches (mm)

Packing	A	B
Teflon	5.62 (142.7)	3.85 (97.8)
GRAFOIL/Low Emissions Graphite	8.20 (208.3)	4.50 (114.3)

**Note:** Approximate valve weight: 6.0 lb (2.72 kg).  
0.187-inch (4.8 mm) diameter orifice.  
Cv = .52, full open.

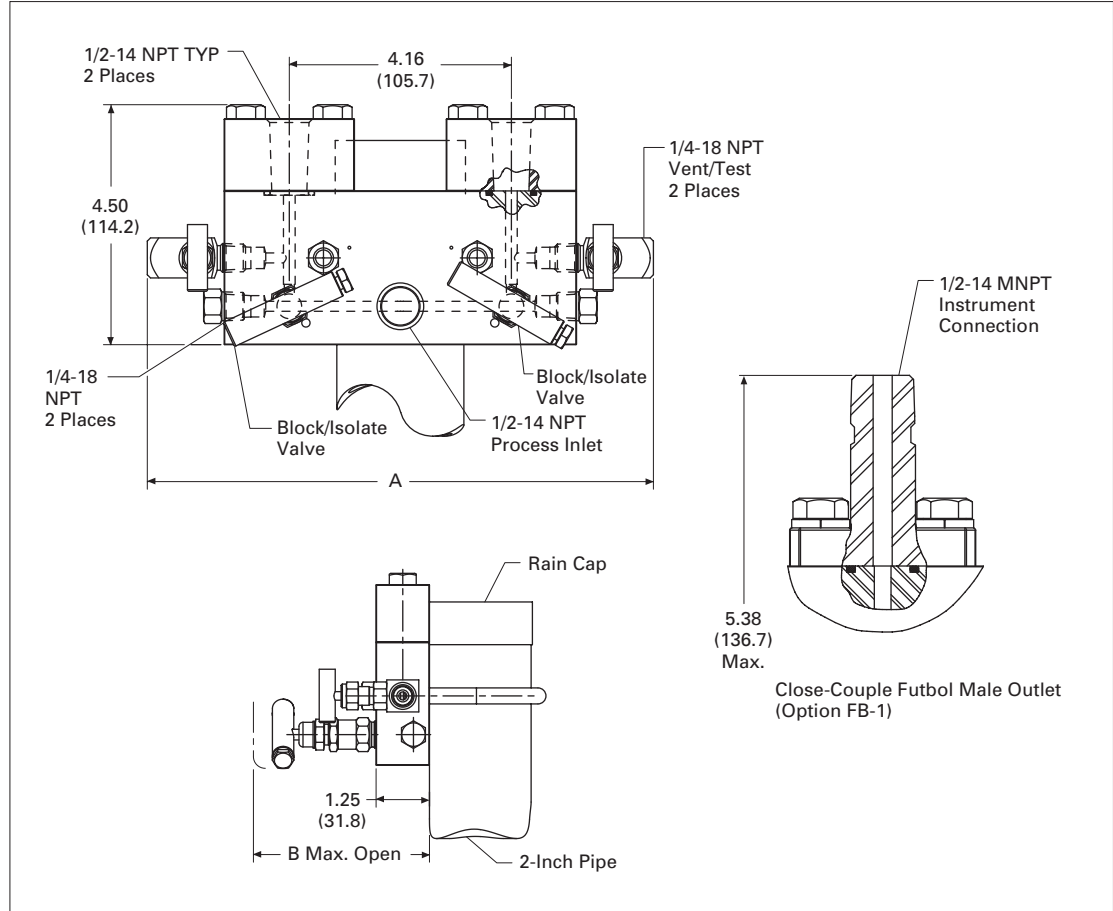
Pressure seal between union connectors and manifold body is Viton® O-ring for Teflon packed valves, GRAFOIL for GRAFOIL packed valves.



# Kerotest KMP1 & KMP2 Static Pressure Manifolds

## Specifications

KMP2 Dimensions in Inches (mm)

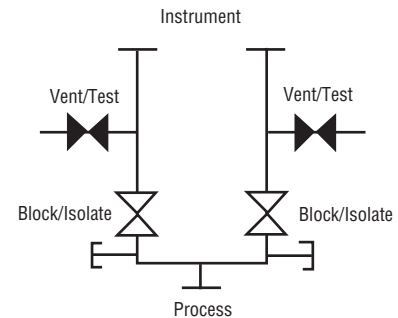


### Dimensions in Inches (mm)

Packing	A	B
<b>Teflon</b>	9.81 (249.2)	3.85 (97.8)
<b>GRAFOIL/Low Emissions Graphite</b>	13.98 (355.1)	4.50 (114.3)

**Note:** Approximate valve weight: 10.0 lb (4.54 kg).  
0.187-inch (4.8 mm) diameter orifice.  
Cv = .52, full open.

Pressure seal between union connectors and manifold body is Viton O-ring for Teflon packed valves, GRAFOIL for GRAFOIL packed valves.



# Kerotest KMP1 & KMP2 Static Pressure Manifolds

## Standard Materials – KMP1

Valve	Body	Bonnet	Stem/Ball (Block Valve)	Stem (Bleed Valve)	Vent/Test Valve	Bolts
CS ①	A105	A108	A581-303 Stem 17-4 Ball	A581-303	A105 ④	A193-B7
SS	A479-316	A479-316	A276-316 Stem 316 SS Ball	A276-316	A479-316	A193-B7
SG ②	A479-316	A479-316	Monel 400 Stem Monel K500 Ball	Monel R405	A479-316	A193-B7
Monel®	Monel 400	Monel R405	Monel 400 Stem Monel K500 Ball	Monel R405	Monel	A193-B7
SG3 ③	Hastelloy® C276	Hastelloy C276	Hastelloy C276 Stellite	Hastelloy	Hastelloy	A193-B7

## Standard Materials – KMP2

Valve	Body	Bonnet	Stem/Ball (Block Valve)	Stem (Bleed Valve)	Vent/Test Valve	Bolts
CS ①	A108	A108	A581-303 Stem 17-4 Ball	A581-303	A105 ④	A193-B7
SS	A479-316	A479-316	A276-316 Stem 316 SS Ball	A276-316	A479-316	A193-B7
SG ②	A479-316	A479-316	Monel 400 Stem Monel K500 Ball	Monel 405	A479-316	A193-B7
SG3 ③	Hastelloy C276	Hastelloy C276	Hastelloy C276 Stellite	Hastelloy	Hastelloy	A193-B7

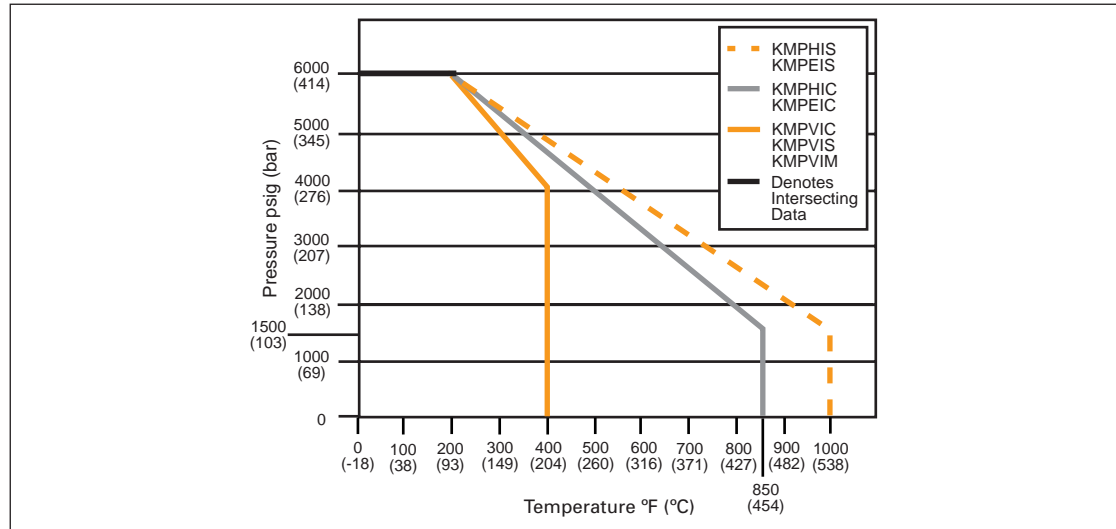
## Pressure and Temperature Ratings

Valve	Packing	Ratings
CS ①, SS and SG ②	Teflon	6000 psig @ 200°F (414 bar @ 93°C) 4000 psig @ 400°F (276 bar @ 204°C)
CS ①	GRAFOIL/Low Emissions Graphite	6000 psig @ 200°F (414 bar @ 93°C) 1500 psig @ 850°F (103 bar @ 454°C)
SS SG ②	GRAFOIL/Low Emissions Graphite	6000 psig @ 200°F (414 bar @ 93°C) 1500 psig @ 1000°F (103 bar @ 538°C)

- ① CS parts are zinc cobalt-plated to prevent corrosion.
- ② SG (Sour Gas) meets the requirements of NACE MR0175-2002.
- ③ SG3 (Sour Gas) meets the requirements of NACE MR0175-2003.
- ④ Teflon packed bleed valve body is 10L18 steel.

# Kerotest KMP1 & KMP2 Static Pressure Manifolds

## Pressure vs. Temperature



## Ordering Information

<b>KMP1</b>	<b>V</b>	<b>I</b>	<b>C</b>	-	<b>44</b>	-	<b>SB</b>
1.	2.	3.	4.		5.		6.
<b>1. Style</b> <b>KMP1</b> – Pressure Manifold (One Instrument) <b>KMP2</b> – Pressure Manifold (Two Instruments)	<b>2. Packing</b> <b>V</b> – Teflon <b>H</b> – GRAFOIL <b>E</b> – Low Emissions Graphite	<b>3. Seat</b> <b>I</b> – Integral (Body Material)	<b>4. Body Material</b> <b>C</b> – CS <b>S</b> – 316 SS <b>M</b> – Monel <b>W</b> – 316L SS <b>J</b> – Hastelloy	<b>5. Connection</b> <b>4</b> – 1/2-Inch FNPT Process x 1/2-Inch FNPT Instrument <b>44</b> – 1/2-Inch FNPT Process x 1/2-Inch MNPT Instrument (KMP1 Only) <b>4-FB1</b> – KMP2 with 1 Each 1/2-Inch MNPT Process x 1/2-Inch FNPT Instrument	<b>6. Options</b> ① <b>BC</b> – Conduit Connection Bracket <b>BL</b> – Bonnet Lock Device (Block Valves) <b>FB1</b> – KMP2 with 1 Each MNPT and FNPT Connectors <b>SB</b> – Steam Block <b>SG</b> – Sour Gas Meets the Requirements of NACE MR0175-2002 (SS Valves Only) <b>SG3</b> – Sour Gas Meets the Requirements of NACE MR0175-2003		

① Includes U-bolt and nuts for 2-inch pipe mounting.

All product names referenced herein are trademarks of their respective companies.