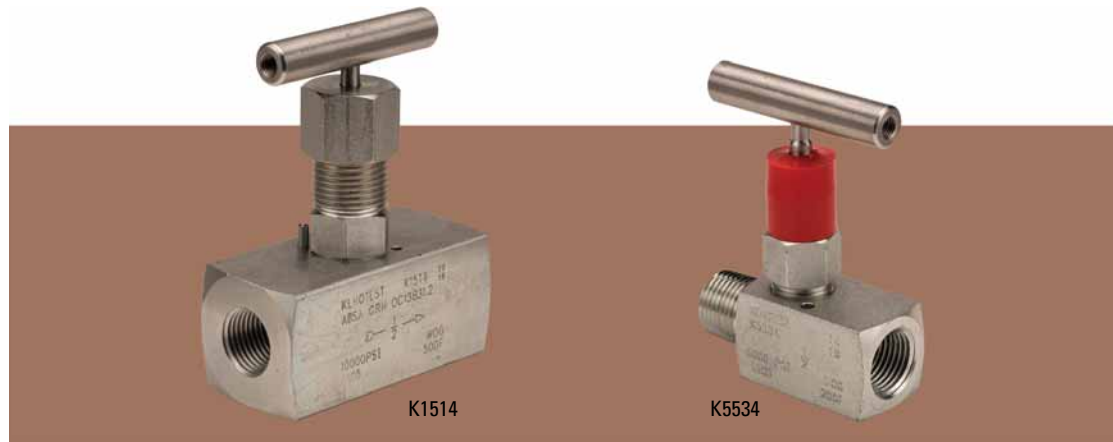


Kerotest N-Series Needle Valves

CRN Approved



Product Brief

The N-Series is designed for processing plants, oil and gas production, hydraulic and pneumatic equipment, testing labs, and other minimally corrosive applications.

Features/Benefits

- **Reviewed and approved** by ABSA for use in Alberta, Canada.
- **Awarded Canadian registration numbers:** 0C13831.2, 0C15335.2.
- **Suitable** for air, water, oil, natural gas, and other fluids with low-level corrosiveness.
- **Blowout-proof stem** design to prevent accidental back-out and blowout issues.
- **Mirror finish** on stems for extended packing life.
- **Globe, Y, or angle** patterns available on hard seat versions.
- **Straight pattern** on soft seat versions.
- **Tested and qualified:** Cycle tested 500 times under full Cold Working Pressure (CWP) load; seat tested at 110% of CWP; shell tested at 200% of CWP.
- **CRN needle valves** meet the following standards:
 - ASME B31.1 — Power Piping
 - ASME B31.3 — Process Piping

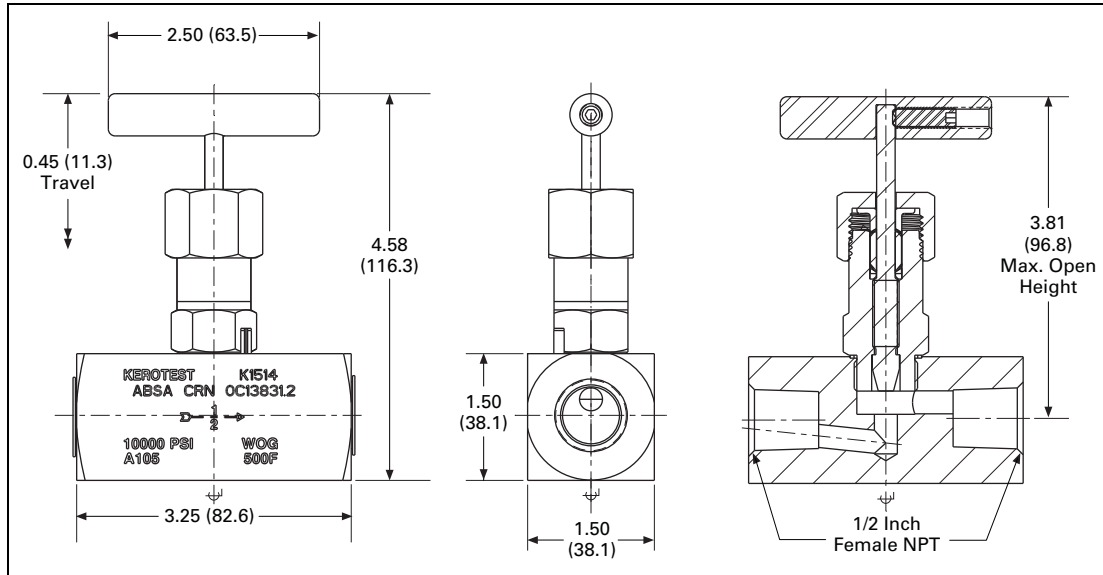


An Employee-Owned Company

Kerotest N-Series Needle Valves CRN Approved

Specifications

K1514 Dimensions in Inches (mm)



Notes:

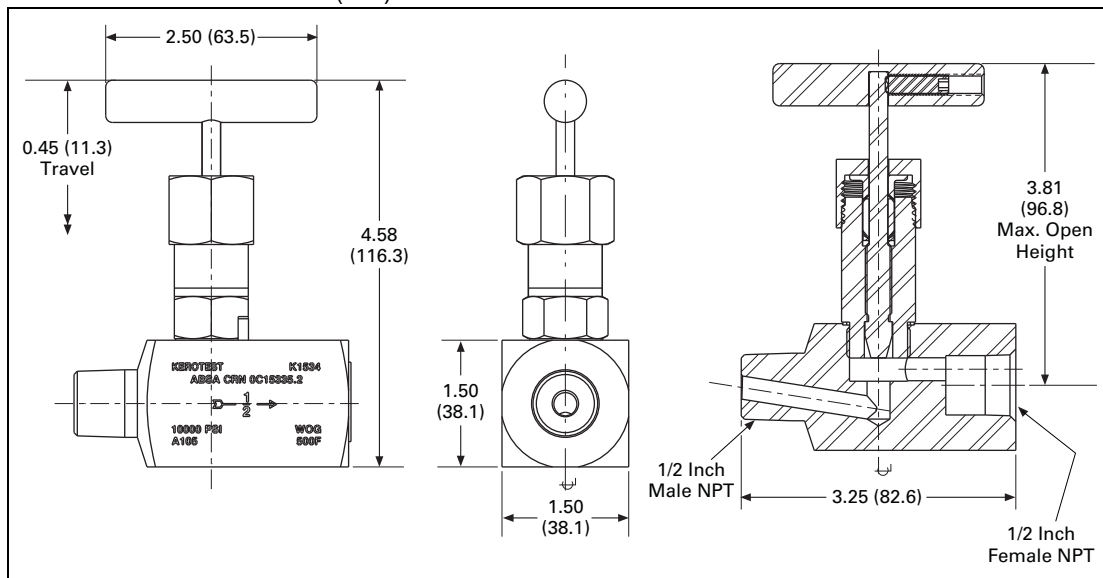
Approximate valve weight: 2.3 lb (1.04 kg).

Approximate number of turns to fully open/close valve: 12.

Reviewed and approved by TSSA for use in Ontario, Canada.

Awarded Canadian registration number: 0C19783.5

K1534 Dimensions in Inches (mm)



Notes:

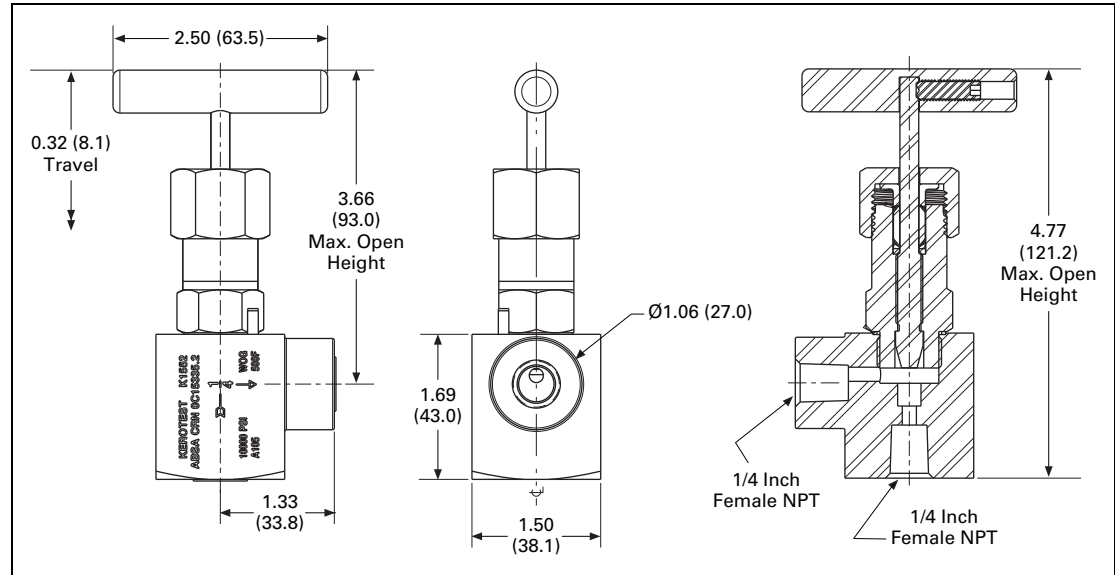
Approximate valve weight: 2.0 lb (0.91 kg).

Approximate number of turns to fully open/close valve: 12.

Kerotest N-Series Needle Valves CRN Approved

Specifications

K1552 Dimensions in Inches (mm)

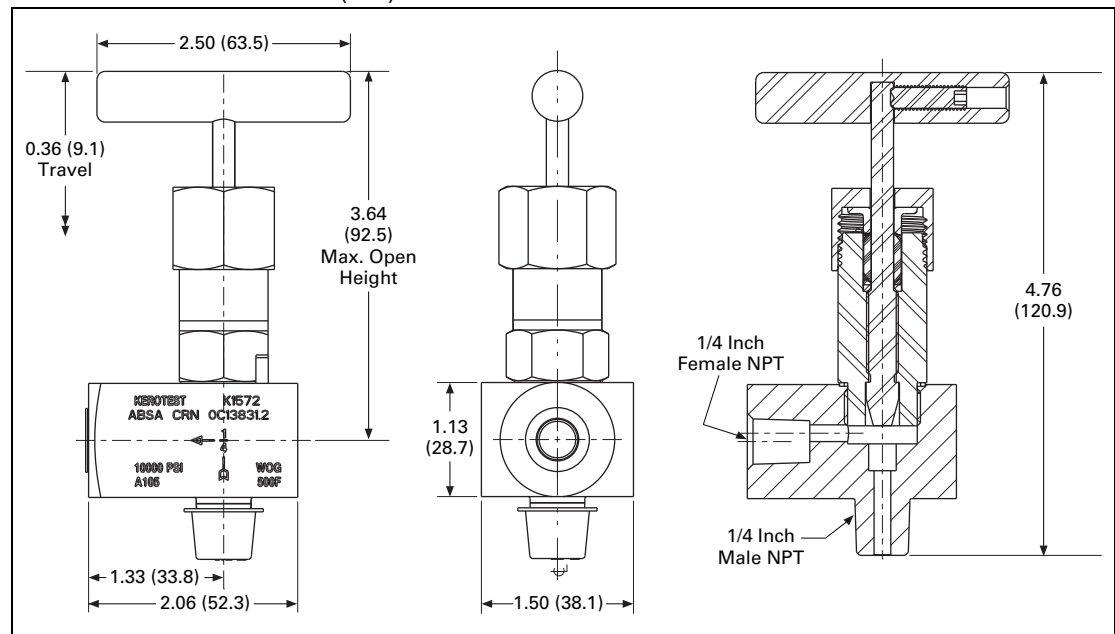


Notes:

Approximate valve weight: 1.7 lb (0.77 kg).

Approximate number of turns to fully open/close valve: 7-3/4.

K1572 Dimensions in Inches (mm)



Notes:

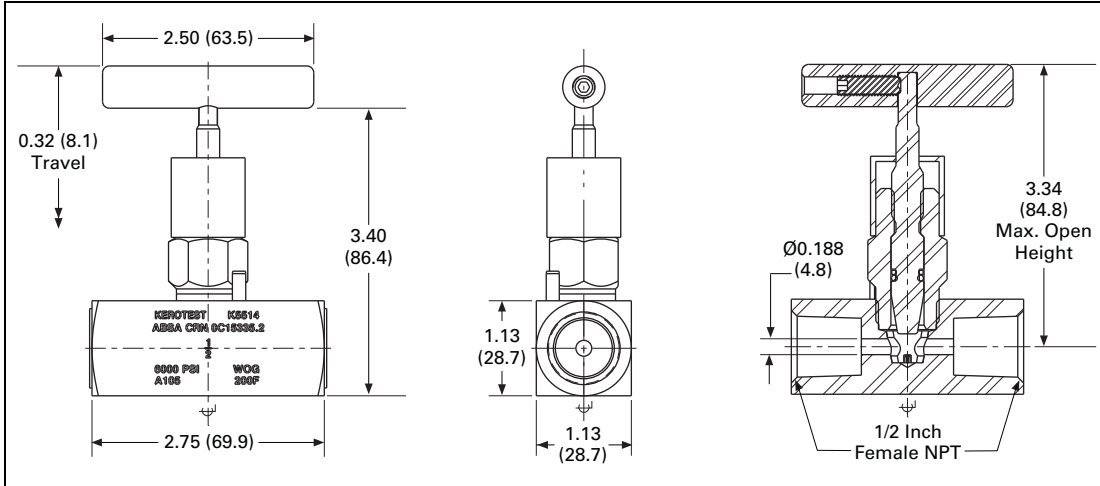
Approximate valve weight: 1.5 lb (0.68 kg).

Approximate number of turns to fully open/close valve: 9.

Kerotest N-Series Needle Valves CRN Approved

Specifications

K5514 Dimensions in Inches (mm)

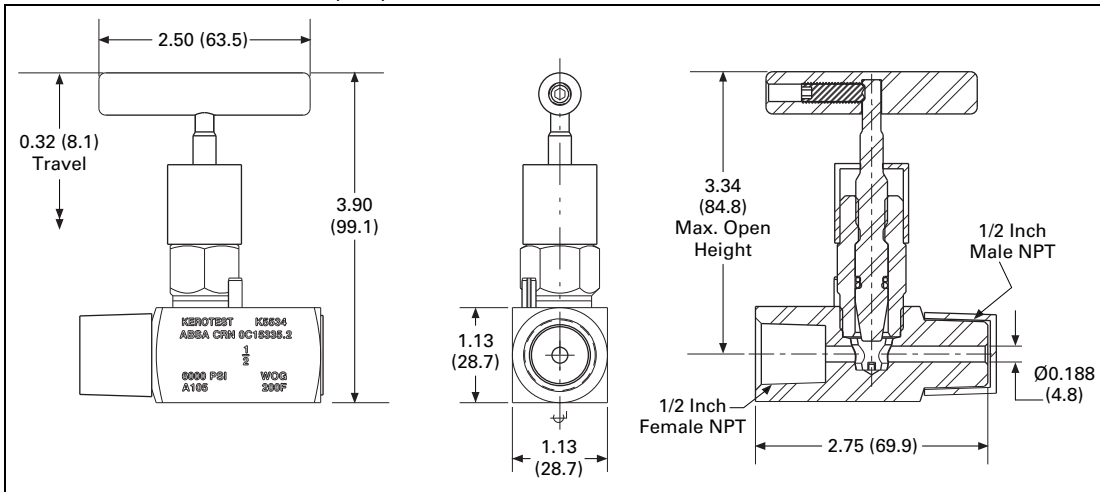


Notes:

Approximate valve weight: 1.1 lb (0.50 kg).

Approximate number of turns to fully open/close valve: 4-3/4.

K5534 Dimensions in Inches (mm)



Notes:

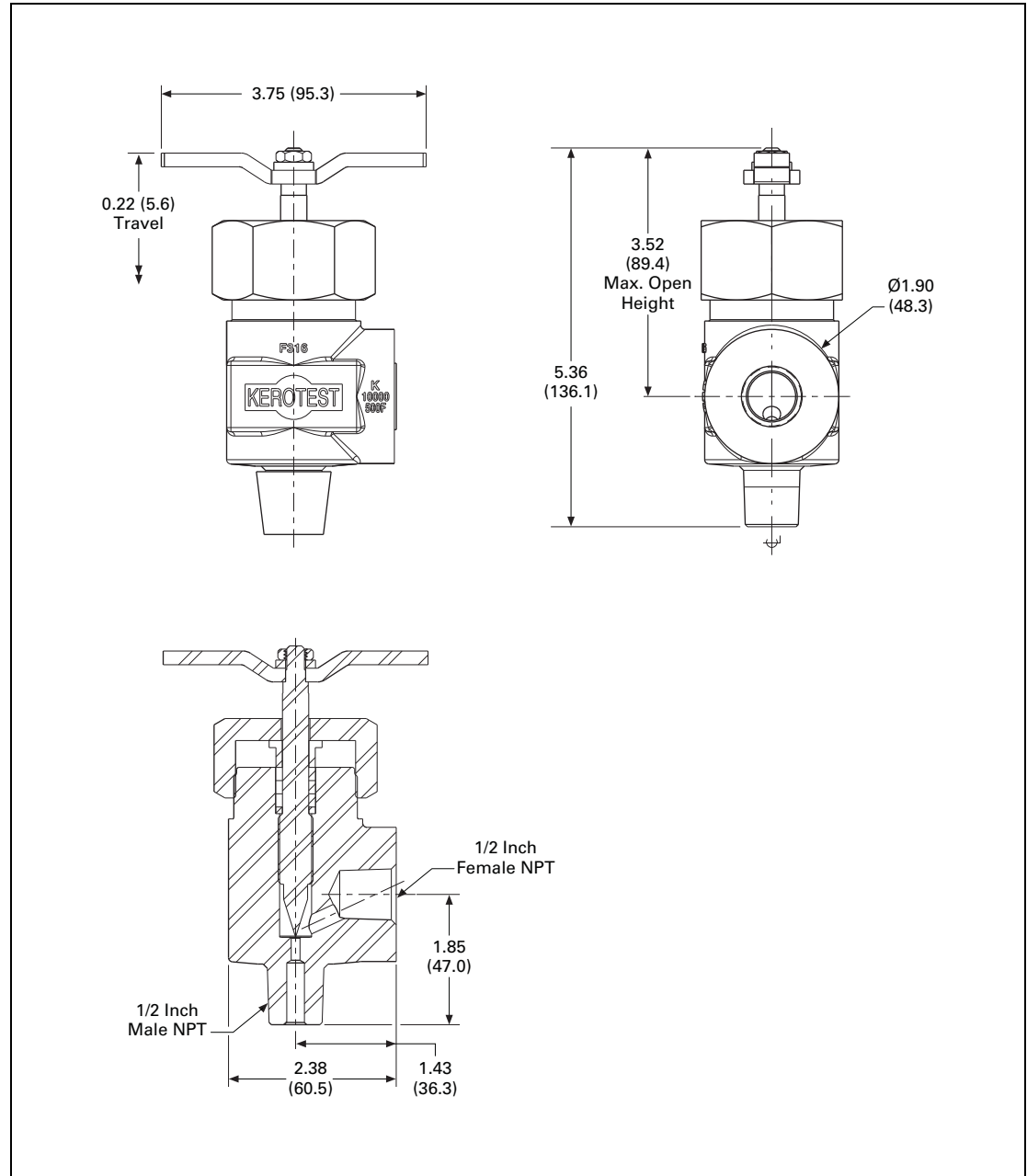
Approximate valve weight: 1.0 lb (0.45 kg).

Approximate number of turns to fully open/close valve: 4-3/4.

Kerotest N-Series Needle Valves CRN Approved

Specifications

200K Dimensions in Inches (mm)



Notes:

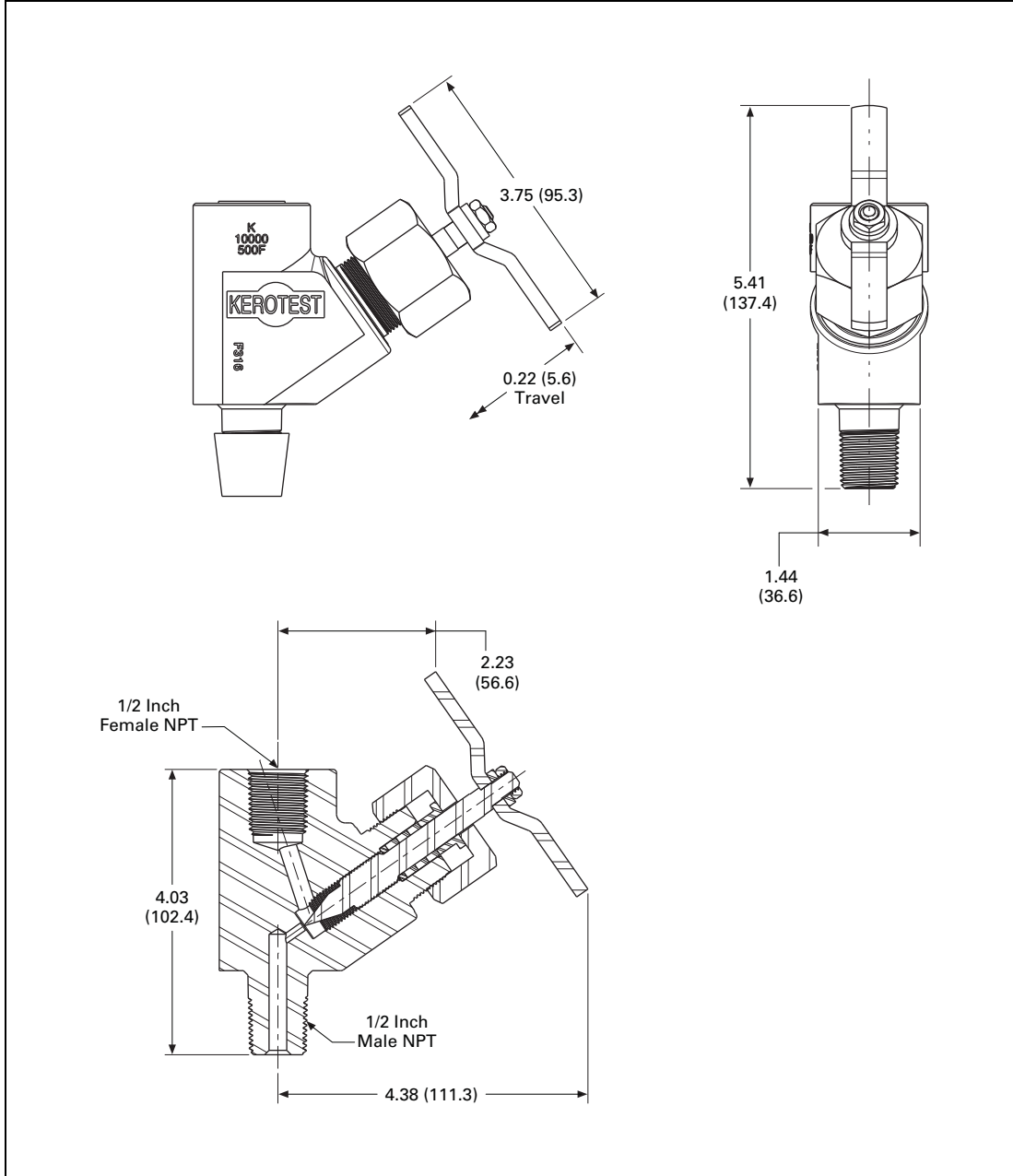
Approximate valve weight: 3.6 lb (1.63 kg).

Approximate number of turns to fully open/close valve: 4-1/2.

Kerotest N-Series Needle Valves CRN Approved

Specifications

110K Dimensions in Inches (mm)



Notes:

Approximate valve weight: 3.0 lb (1.36 kg).

Approximate number of turns to fully open/close valve: 4-1/2.

Kerotest N-Series Needle Valves CRN Approved

Standard Materials

Model	Body	Bonnet	Stem
Hard Seat Carbon Steel Valves with Adjustable Packing			
K1514	A105 Carbon Steel, Zinc Plated for Corrosion Resistance	A105 Carbon Steel, Zinc Plated for Corrosion Resistance	410T Stainless Steel
K1534	A105 Carbon Steel, Zinc Plated for Corrosion Resistance	A105 Carbon Steel, Zinc Plated for Corrosion Resistance	410T Stainless Steel
K1552	A105 Carbon Steel, Zinc Plated for Corrosion Resistance	A105 Carbon Steel, Zinc Plated for Corrosion Resistance	410T Stainless Steel
K1572	A105 Carbon Steel, Zinc Plated for Corrosion Resistance	A105 Carbon Steel, Zinc Plated for Corrosion Resistance	410T Stainless Steel
Hard Seat Carbon Steel Valves with Adjustable Packing			
200K	316 Stainless Steel	—	316 Stainless Steel
110K	316 Stainless Steel	—	316 Stainless Steel
Soft Seat Carbon Steel Valves			
K5514	A105 Carbon Steel, Zinc Plated for Corrosion Resistance	A105 Carbon Steel, Zinc Plated for Corrosion Resistance	316 Stainless Steel
K5534	A105 Carbon Steel, Zinc Plated for Corrosion Resistance	A105 Carbon Steel, Zinc Plated for Corrosion Resistance	316 Stainless Steel

Pressure and Temperature Ratings

Model	Packing	Seat Material	Maximum Operating Pressure	Maximum Operating Temperature
Hard Seat Carbon Steel Valves with Adjustable Packing				
K1514	PTFE	Integral	10,000 psi	500°F
K1534	PTFE	Integral	10,000 psi	500°F
K1552	PTFE	Integral	10,000 psi	500°F
K1572	PTFE	Integral	10,000 psi	500°F
Hard Seat Carbon Steel Valves with Adjustable Packing				
200K	PTFE	Integral	10,000 psi	500°F
110K	PTFE	Integral	10,000 psi	500°F
Soft Seat Carbon Steel Valves				
K5514	Viton® O-Ring with Backup Ring	Delrin®	6,000 psi	200°F
K5534	Viton® O-Ring with Backup Ring	Delrin®	6,000 psi	200°F

Kerotest N-Series Needle Valves CRN Approved

Valve Descriptions and Properties



Model	Valve Descriptions and Properties
K1514	1/2" NPT, Female x Female Globe Pattern, Carbon Steel, Hard Seat Cv = 1.07
K1534	1/2" NPT, Male x Female Globe Pattern, Carbon Steel, Hard Seat Cv = 0.98
K1552	1/4" NPT, Female x Female Angle Pattern, Carbon Steel, Hard Seat Cv = 0.42
K1572	1/4" NPT, Male x Female Angle Pattern, Carbon Steel, Hard Seat Cv = 0.42
200K	1/2" NPT, Male x Female Angle Pattern, Stainless Steel, Hard Seat Cv = 0.34
110K	1/2" NPT, Male x Female Y Pattern, Stainless Steel, Hard Seat Cv = 0.34
K5514	1/2" NPT, Female x Female Straight Pattern, Carbon Steel, Soft Seat Cv = 0.7
K5534	1/2" NPT, Male x Female Straight Pattern, Carbon Steel, Soft Seat Cv = 0.7

All product names referenced herein are trademarks of their respective companies.



Kerotest Manufacturing Corp.
5500 Second Avenue • Pittsburgh, PA 15207
412.521.7688 • Fax: 412.521.5990
www.Kerotest.com • Sales@Kerotest.com