

KEROTEST STRAINER

CARBON STEEL



SIZES 1" THRU 6"
ANSI 150/300 LB.
 (LARGER SIZES AVAILABLE)

UP TO 30% LARGER BASKET AREA

INTERCHANGEABLE WITH
 VALVES - STANDARD ANSI B16.5
 & 16.10 END TO END
 DIMENSIONS.

ELASTOMERIC BASKET SEAL -
 ELIMINATES POTENTIAL
 LEAKAGE BETWEEN BASKET
 AND BODY.

REVERSIBLE BASKET - FOR
 REVERSE FLOW APPLICATIONS.



Kerotest Manufacturing Corp.

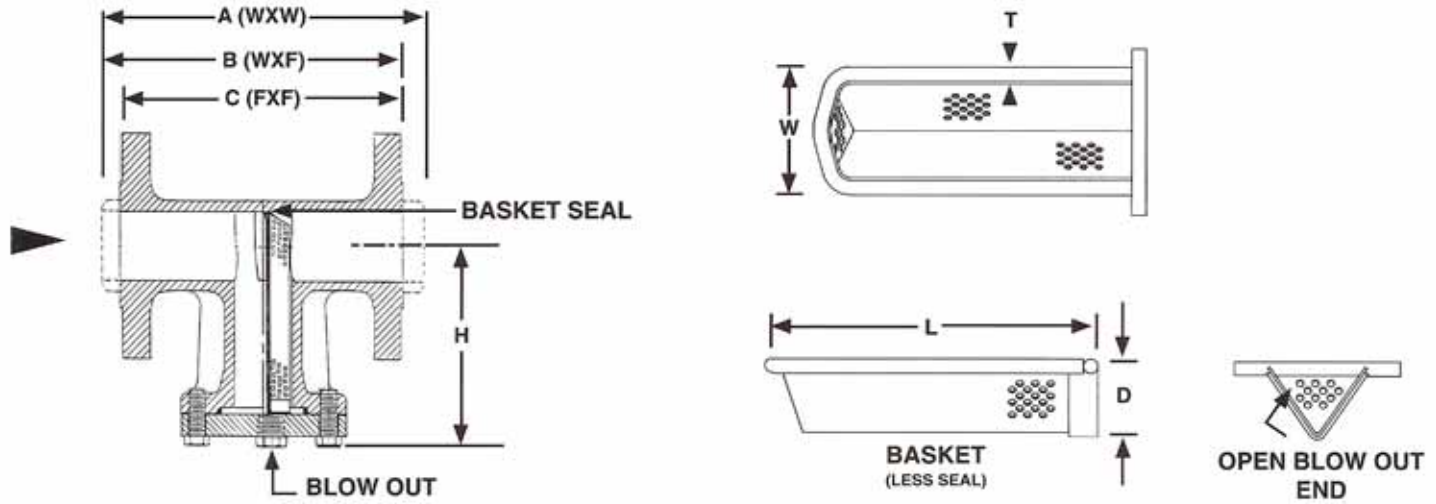
5500 Second Avenue • Pittsburgh, PA 15207

(412) 521-7688 • FAX (412) 521-7853

For International Inquiries, call: (412) 521-4664 • FAX (412) 521-2160

KEROTEST

T-STRAINER



Pipe Size	Part Number #	ANSI	A	B	C	H	D APPROX	L APPROX	T APPROX	W APPROX	B/O Size
1	TST-100	300	5"	-	-	4-15/32	1-1/8	4-25/32	1/4	1-21/32	3/8
1-1/4	TST-125	300	5"	-	-						
2	TST-215	150	8-1/2	7-3/4	7	5-7/8	1-3/8	5-23/32	1/4	2-7/32	1/2
	TST-230	300	8-1/2	8-1/2	8-1/2						
3	TST-315	150	11-1/8	9-9/16	8	7-7/16	1-7/8	7-3/4	1/4	3-5/8	1/2
	TST-330	300	11-1/8	11-1/8	11-1/8						
4	TST-415	150	12	10-1/2	9	8	2	8-11/16	1/4	4-5/8	1/2
	TST-430	300	12	12	12						
6	TST-615	150	15-7/8	13-3/16	10-1/2	10-11/16	2-3/4	12-5/16	3/8	7-3/8	1/2
	TST-630	300	15-7/8	15-7/8	15-7/8						

#To above part numbers, add for: Weld end-WW, Weld by Flange-WF, Flange by Flange-FF, Screwed end-SC (Example: TST-415-FF).

Component Description:

Body Mat'l: Steel,
ASTM A-216 Gr. WCB
Cover Mat'l: Steel,
ASTM A36
Bolts: SAE Gr. 8 Carbon Steel

Cover Seal: Buna-N

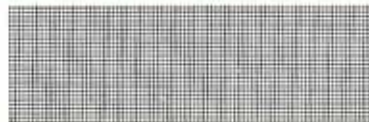
Basket Mat'l: 300 Series-Stainless Steel
1/8" Perforation on 3/16" Centers

Basket Seal: Buna-N
Mesh: Optional - 40 Mesh from Stock
(300 Series Stainless Steel)

Options:

Short Weld Ends
Flat Faced Flanges
Screwed Ends
Special Coatings
Viton™ Trim

STANDARD BASKET MATERIAL FOR T-STRAINER



LINER
40 MESH

Mesh	Wire Diameters		Width of Opening		% of Opening	Material Range
	in.	m.m.	in.	m.m.		
20	.016	.406	.034	.86	46.2%	300 Series Stainless Steel
40	.010	.254	.015	.38	36.0%	300 Series Stainless Steel
60	.0075	.191	.009	.23	30.5%	300 Series Stainless Steel
80	.0055	.140	.007	.19	31.4%	300 Series Stainless Steel
100	.0045	.114	.006	.14	30.3%	300 Series Stainless Steel